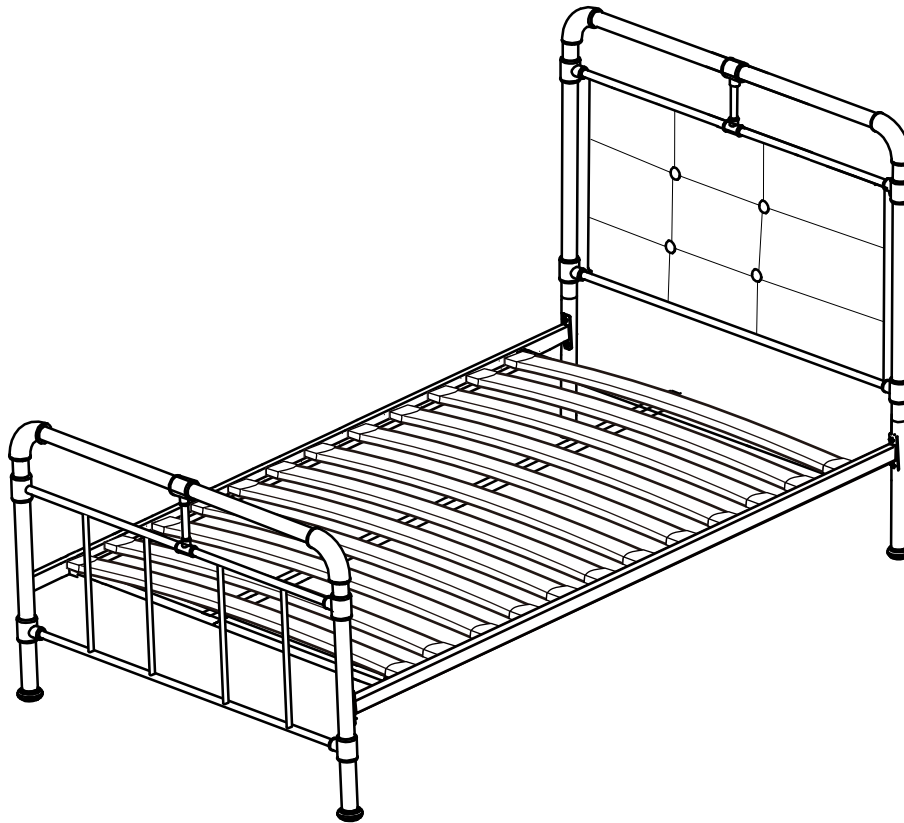
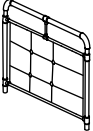

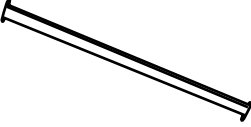
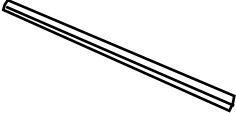
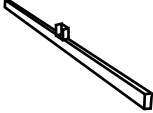








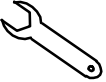


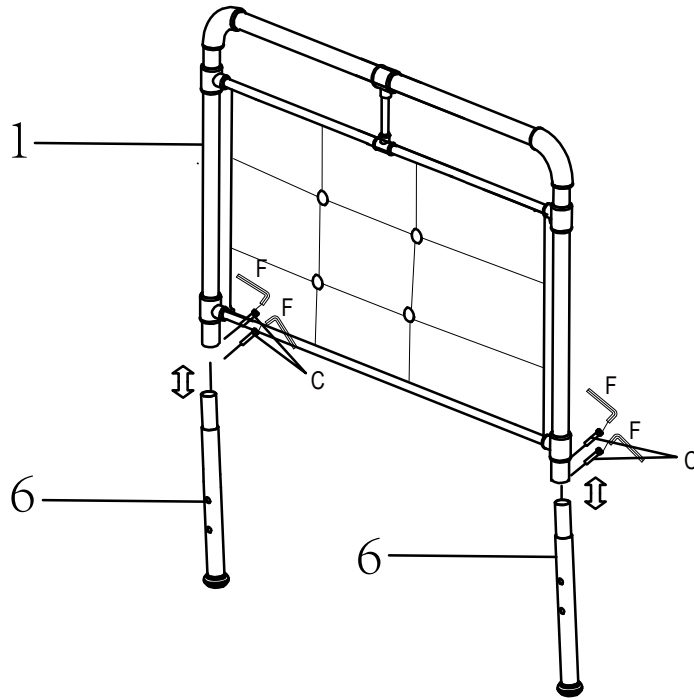
ASSEMBLY INSTRUCTIONS

MODEL: OXFORD BED (SINGLE)

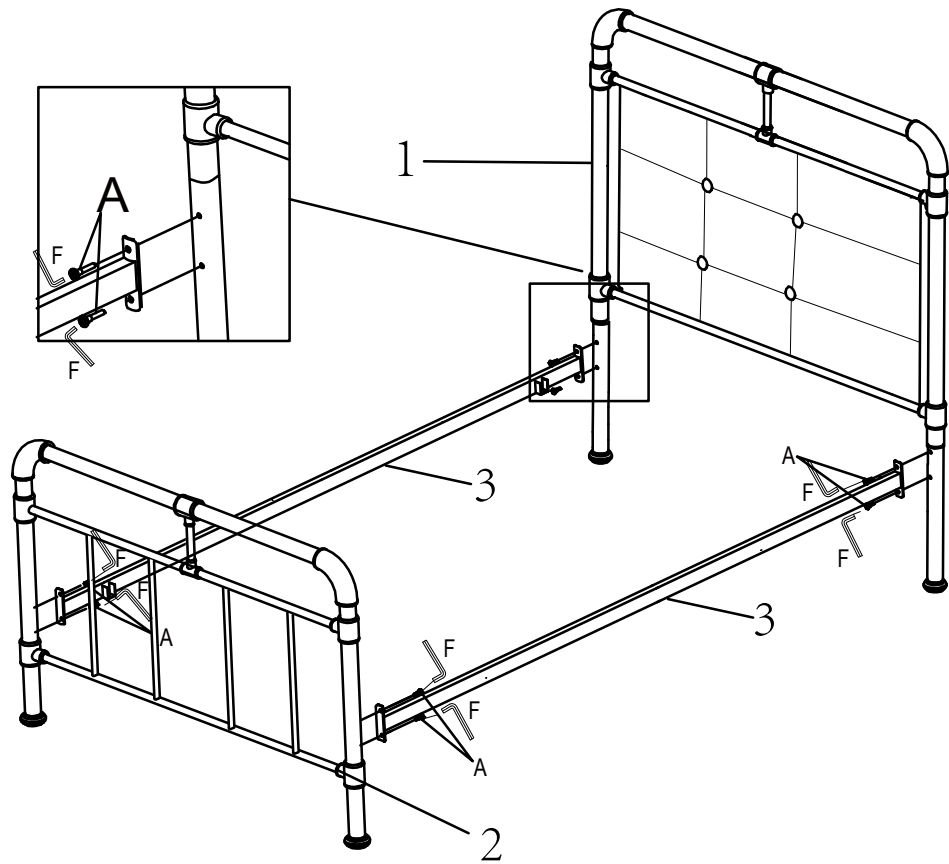


1. Headboard 1 pc 	2. Footboard 1 pc 	3. Siderails 2 pcs 	4. Centre bar 1 pc 
5. Cross bar 2 pcs 	6. Short Leg 2 pcs 	7. Slat 12 pcs 	A. M8 x 20mm 8pcs 
B. M6 x 35mm 6pcs 	C. M6 x 12mm 4pcs 	D. Nut 6pcs 	E. Single plastic cap 24pcs 
F. M4 Allen Key 1pc 	G. Spanner 1pc 		

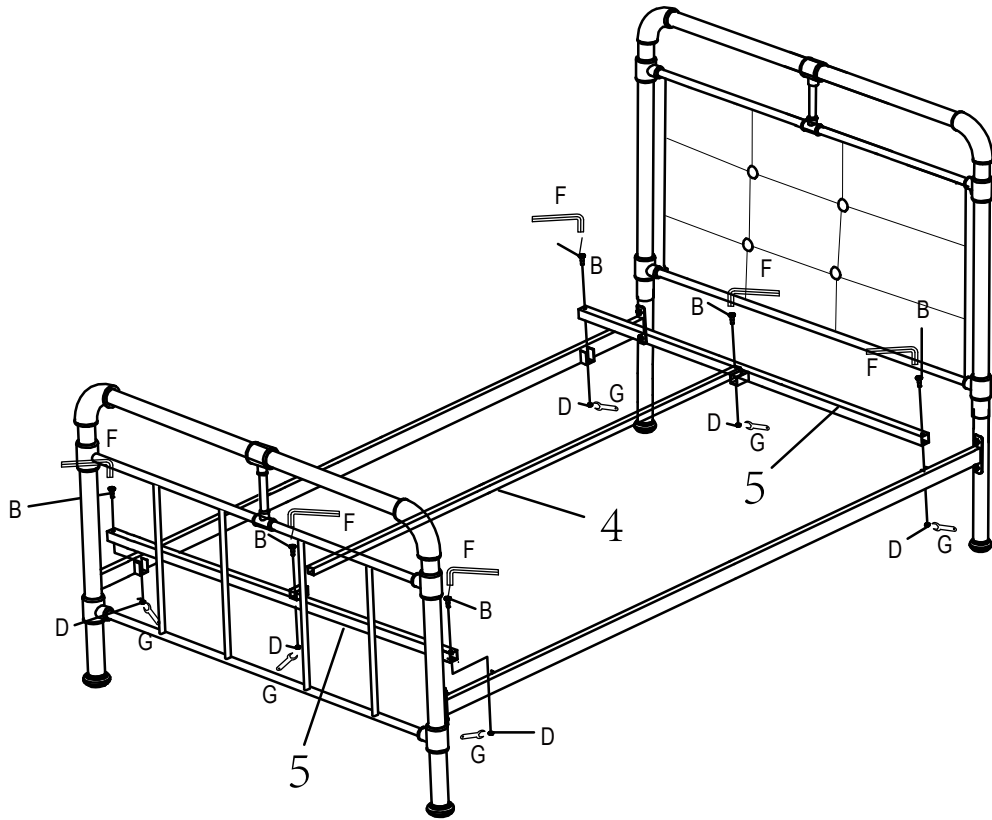
STEP 1



STEP 2



STEP 3



STEP 4

