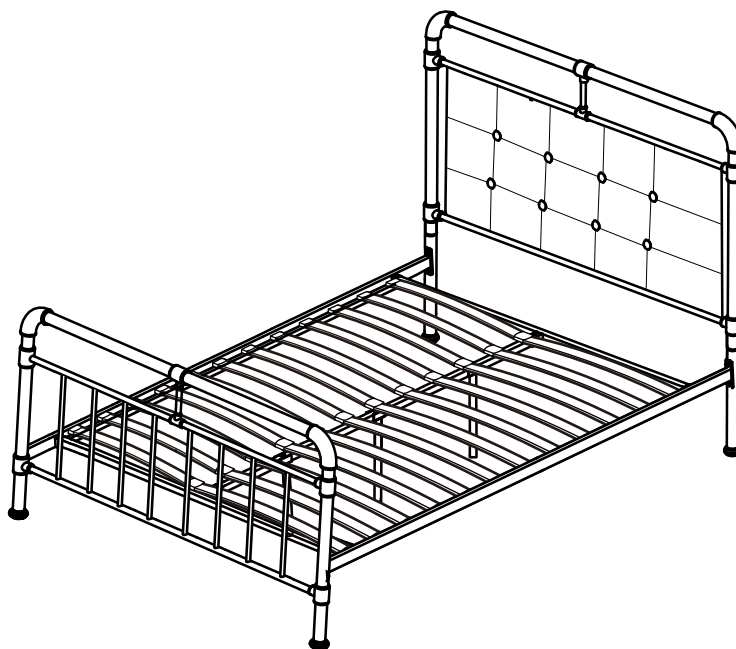
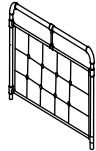

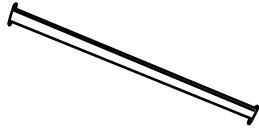
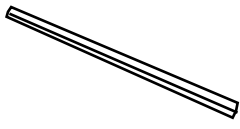
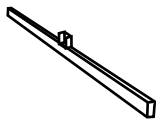







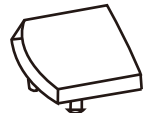
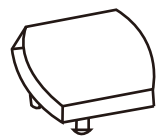




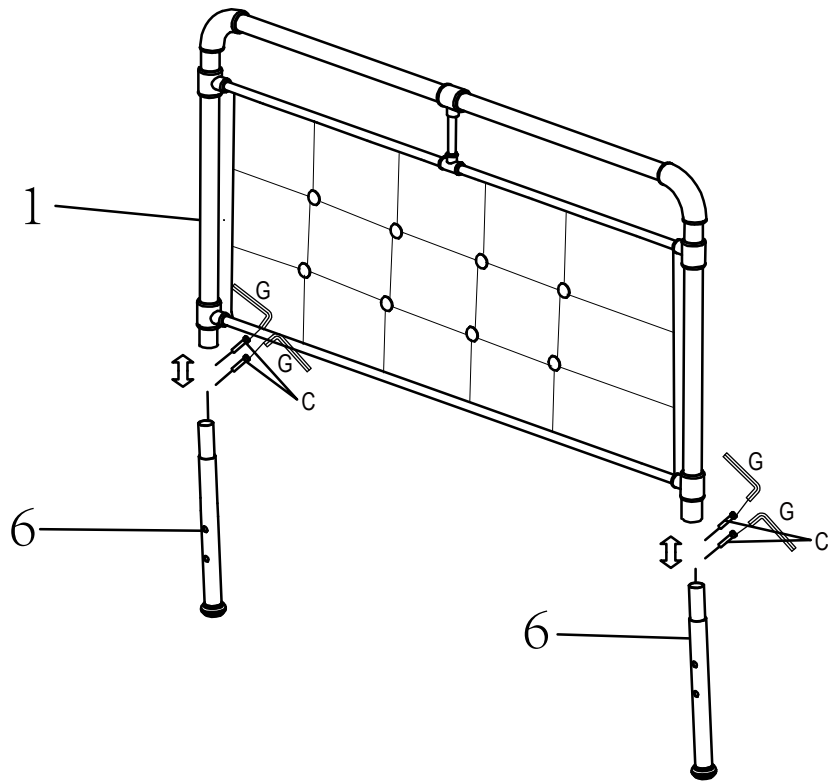
# ASSEMBLY INSTRUCTIONS

## MODEL: OXFORD BED (KING)

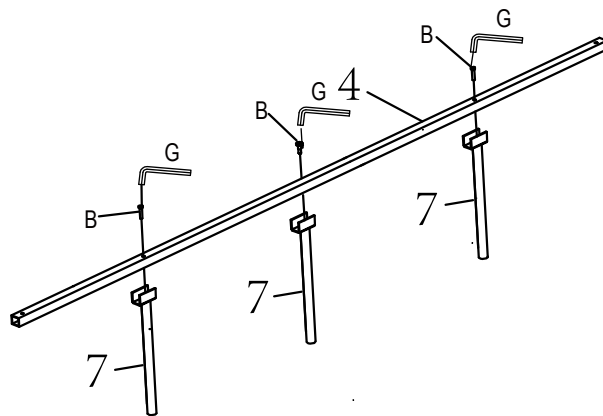


<p>1. Headboard 1 pc</p> 	<p>2. Footboard 1 pc</p> 	<p>3. Siderails 2 pcs</p> 	<p>4. Centre bar 1 pc</p> 
<p>5. Cross bar 2 pcs</p> 	<p>6. Short leg 2 pcs</p> 	<p>7. Support leg 3 pcs</p> 	<p>8. Slat 24 pcs</p> 
<p>A. M8 x 20mm 8pcs</p> 	<p>B. M6 x 35mm 9pcs</p> 	<p>C. M6 x 12mm 4pcs</p> 	<p>D. Nut 6pcs</p> 
<p>E. Single plastic cap 24pcs</p> 	<p>F. Double plastic cap 12pcs</p> 	<p>G. M4 Allen Key 1pc</p> 	<p>H. Spanner 1pc</p> 

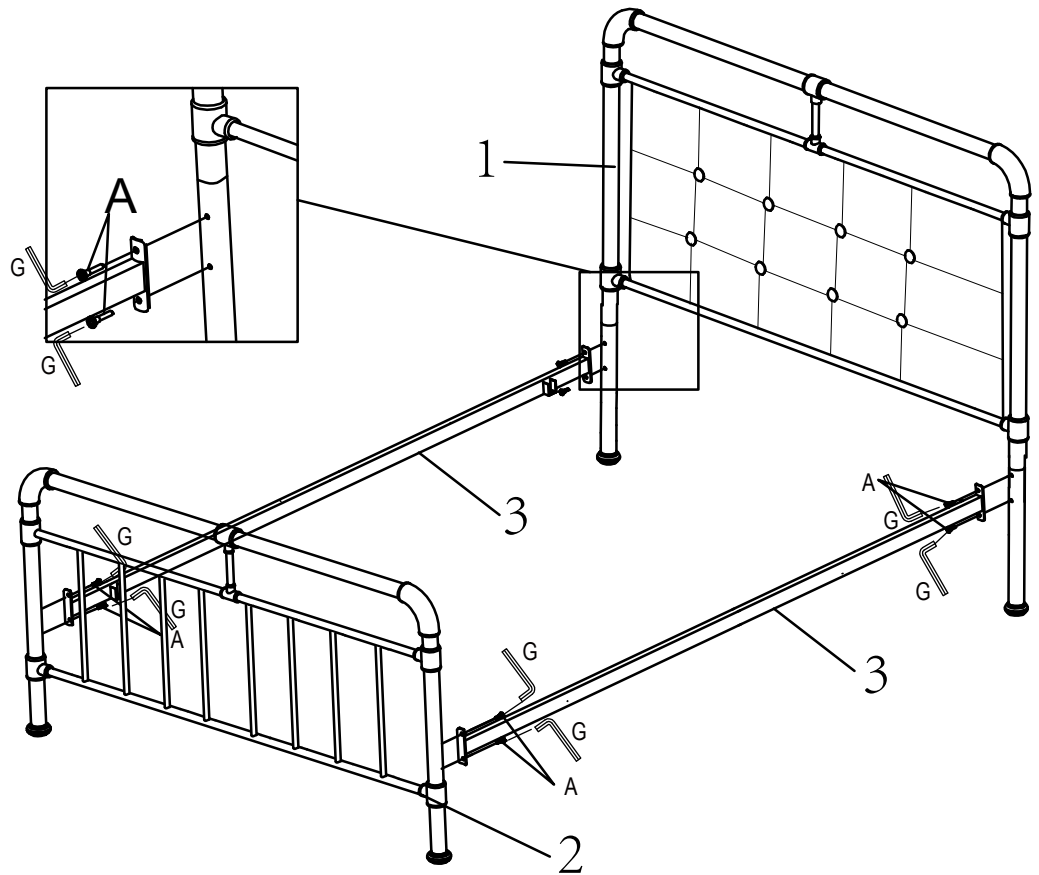
# STEP 1



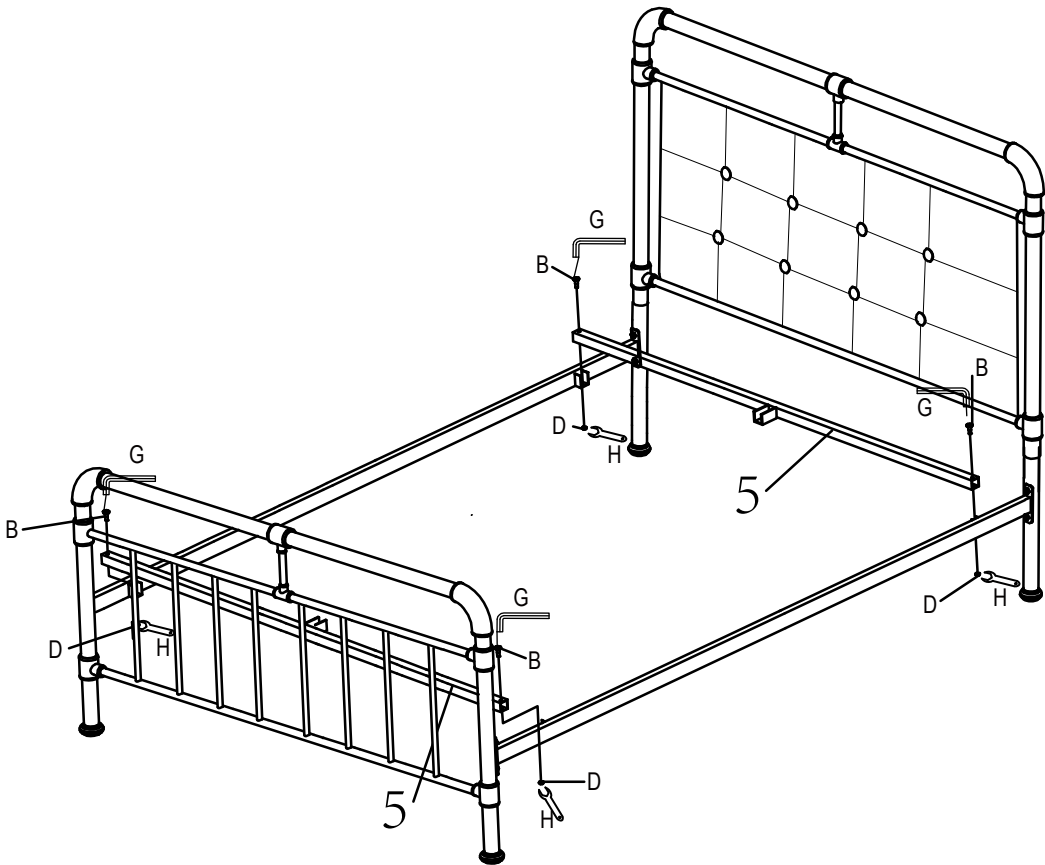
# STEP 2



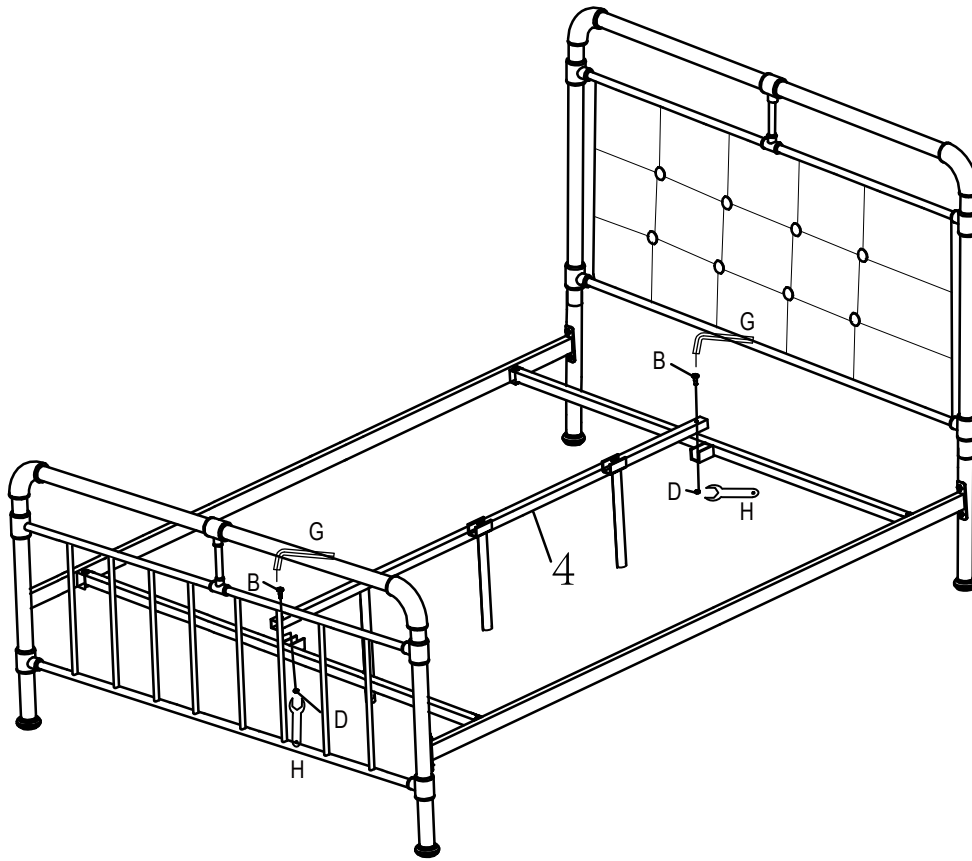
# STEP 3



# STEP 4



# STEP5



# STEP6

