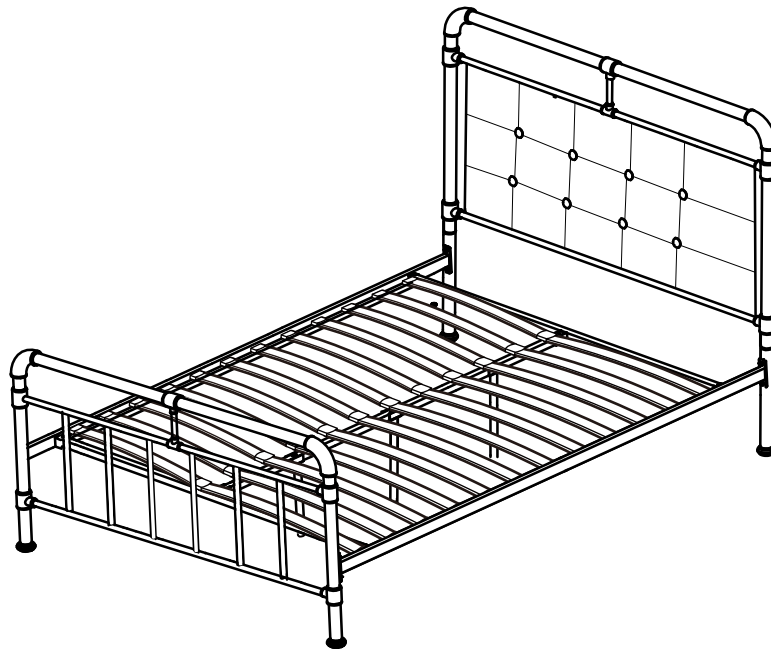


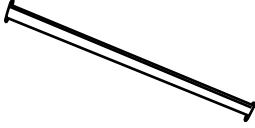
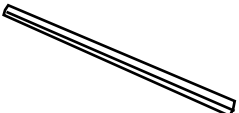
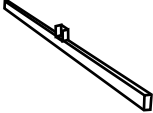


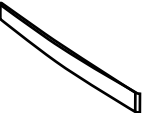







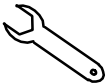


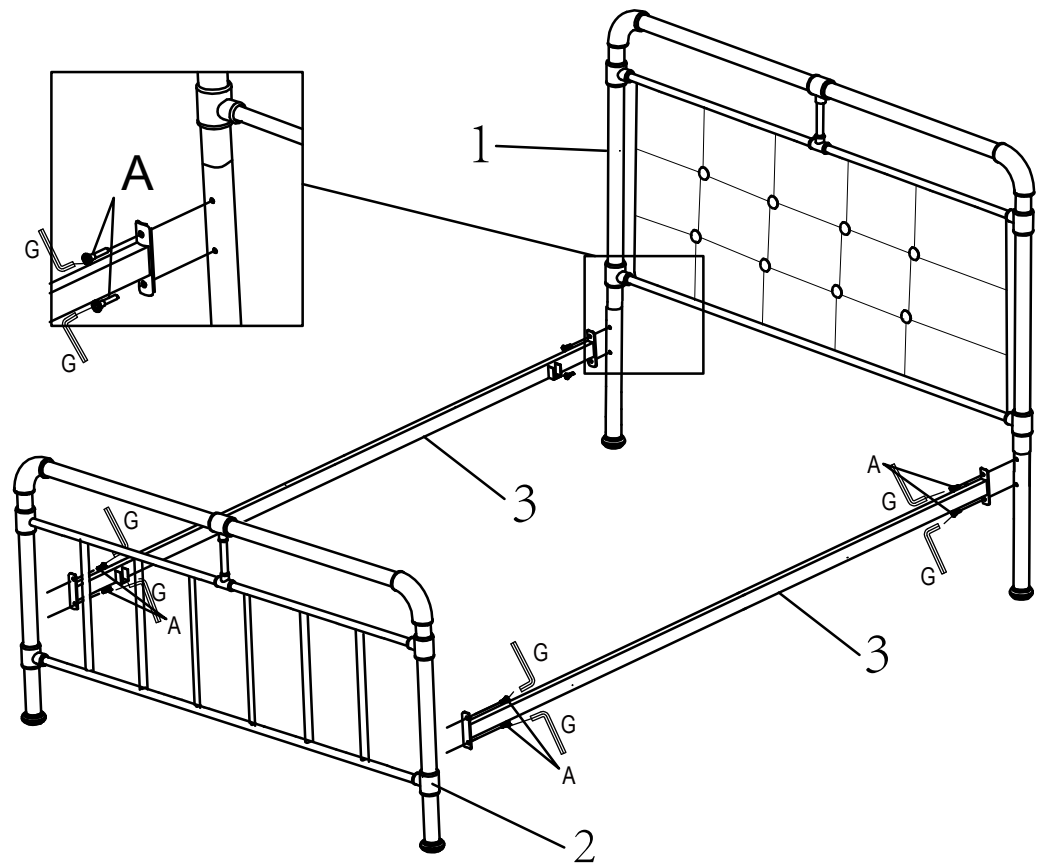
ASSEMBLY INSTRUCTIONS

MODEL: OXFORD BED (DOUBLE)

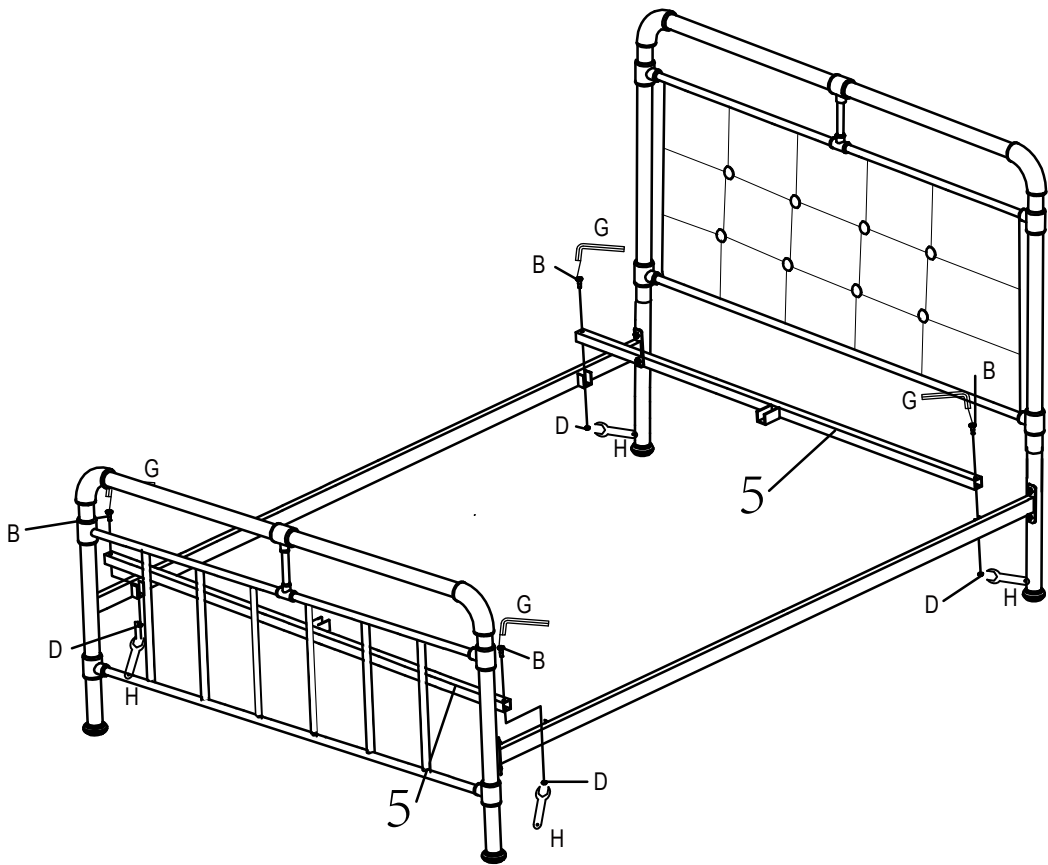


1. Headboard 1 pc 	2. Footboard 1 pc 	3. Siderails 2 pcs 	4. Centre bar 1 pc 
5. Cross bar 2 pcs 	6. Short leg 2 pcs 	7. Support leg 3 pcs 	8. Slat 24 pcs 
A. M8 x 20mm 8pcs 	B. M6 x 35mm 9pcs 	C. M6 x 12mm 4pcs 	D. Nut 6pcs 
E. Single plastic cap 24pcs 	F. Double plastic cap 12pcs 	G. M4 Allen Key 1pc 	H. Spanner 1pc 

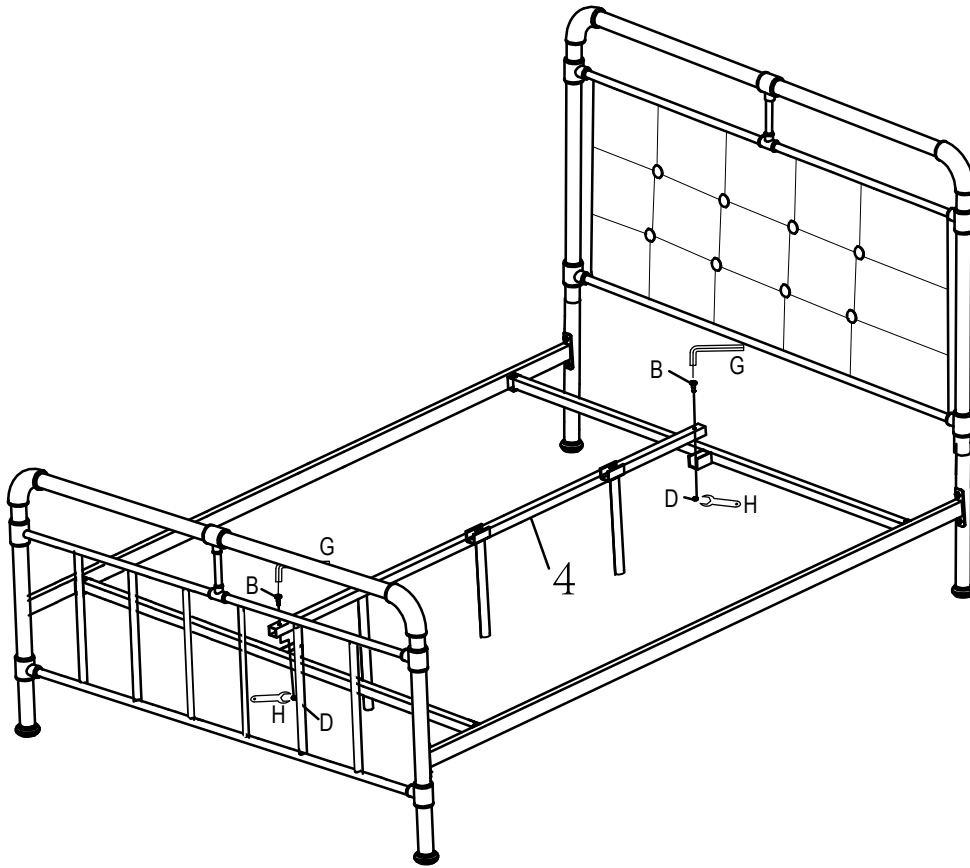
STEP 3



STEP 4



STEP5



STEP6

