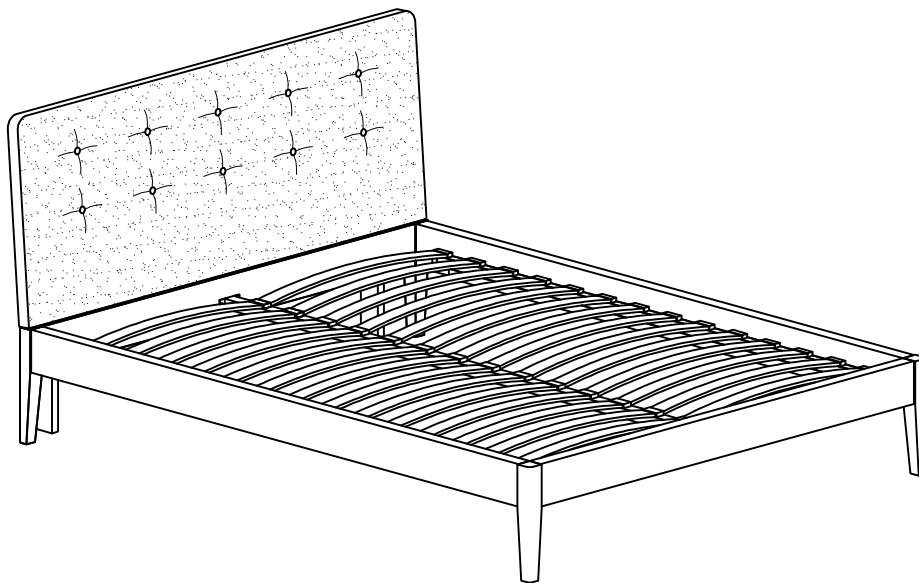


# ASSEMBLY INSTRUCTION

## MOBBERLEY BED (DOUBLE)

### IMPORTANT NOTE:

- \*\* PLACE ALL PARTS ON A CLEAN AND SMOOTH SURFACE SUCH AS A RUG OR CARPET TO AVOID THE PARTS FROM BEING SCRATCHED.
- \*\* BEFORE YOU BEGIN, KINDLY FOLLOW THE ASSEMBLY INSTRUCTIONS STEP BY STEP.
- \*\* DO NOT TIGHTEN ALL SCREWS UNTIL THE BED IS FULLY SET-UP.

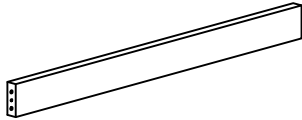

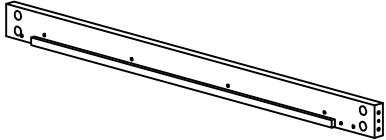
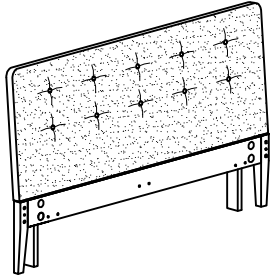
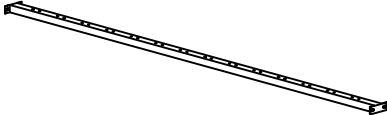
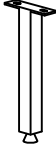




---


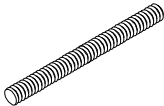


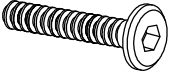



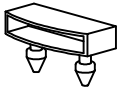

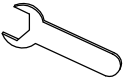


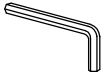

## WOODEN SLATS FITMENT

FOR THE OPTIMUM PERFORMANCE OF YOUR BED , CORRECT INSTALLATION & TO ENSURE THAT YOUR MATTRESS SITS CORRECTLY, PLEASE NOTE THAT WHEN FITTING THE SLATS TO THE BED MAKE SURE THAT THE TOP OF THE ARCH OF THE SLATS FACE UPWARDS TO ALLOW FOR A SPRING EFFECT WHEN FORCE IS APPLIED DOWNWARDS.



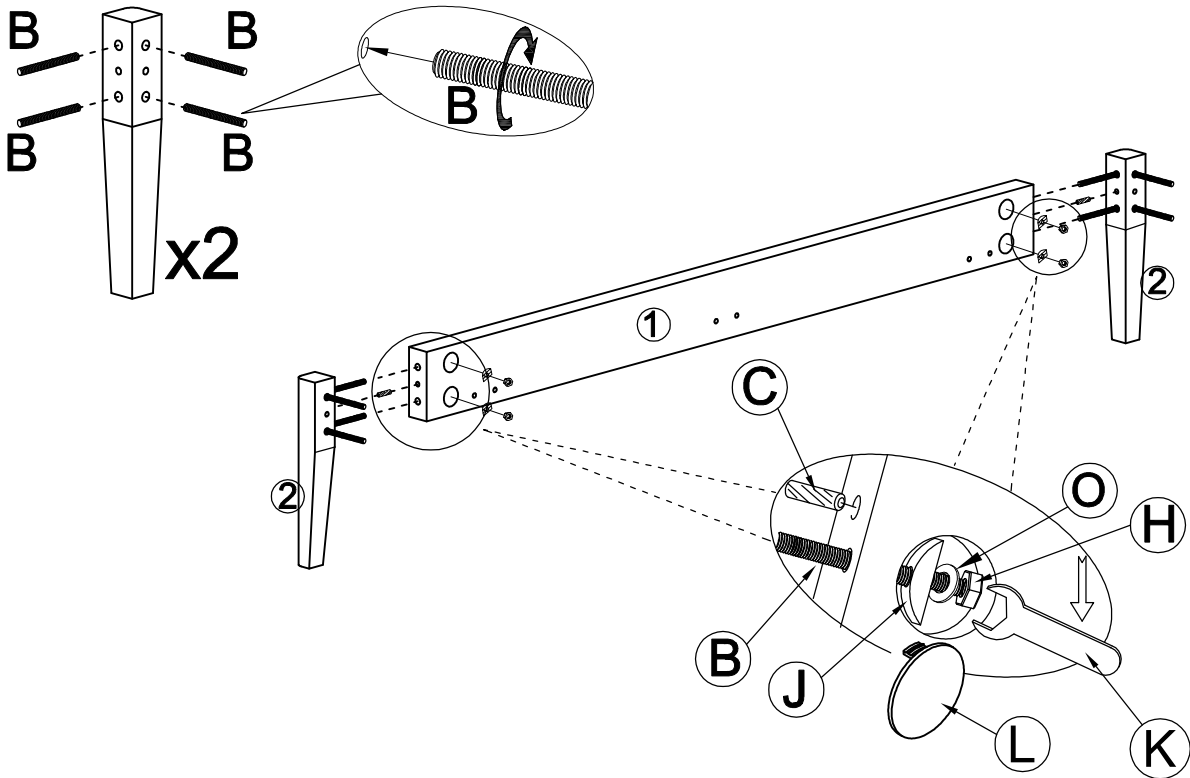
<p>(1) FOOTBOARD 1PC</p> 	<p>(2) FEET 2PCS</p> 	<p>(3) SIDE RAIL 2PCS</p> 
<p>(4) HEADBOARD 1PC</p> 	<p>(5) CENTRE RAIL 1PC</p> 	<p>(6) SUPPORT LEG 2PCS</p> 
<p>(7)SIDE RAIL SUPPORT BAR 2PCS</p> 	<p>(8) SLAT 26PCS</p> 	

### HARDWARE IDENTIFICATION

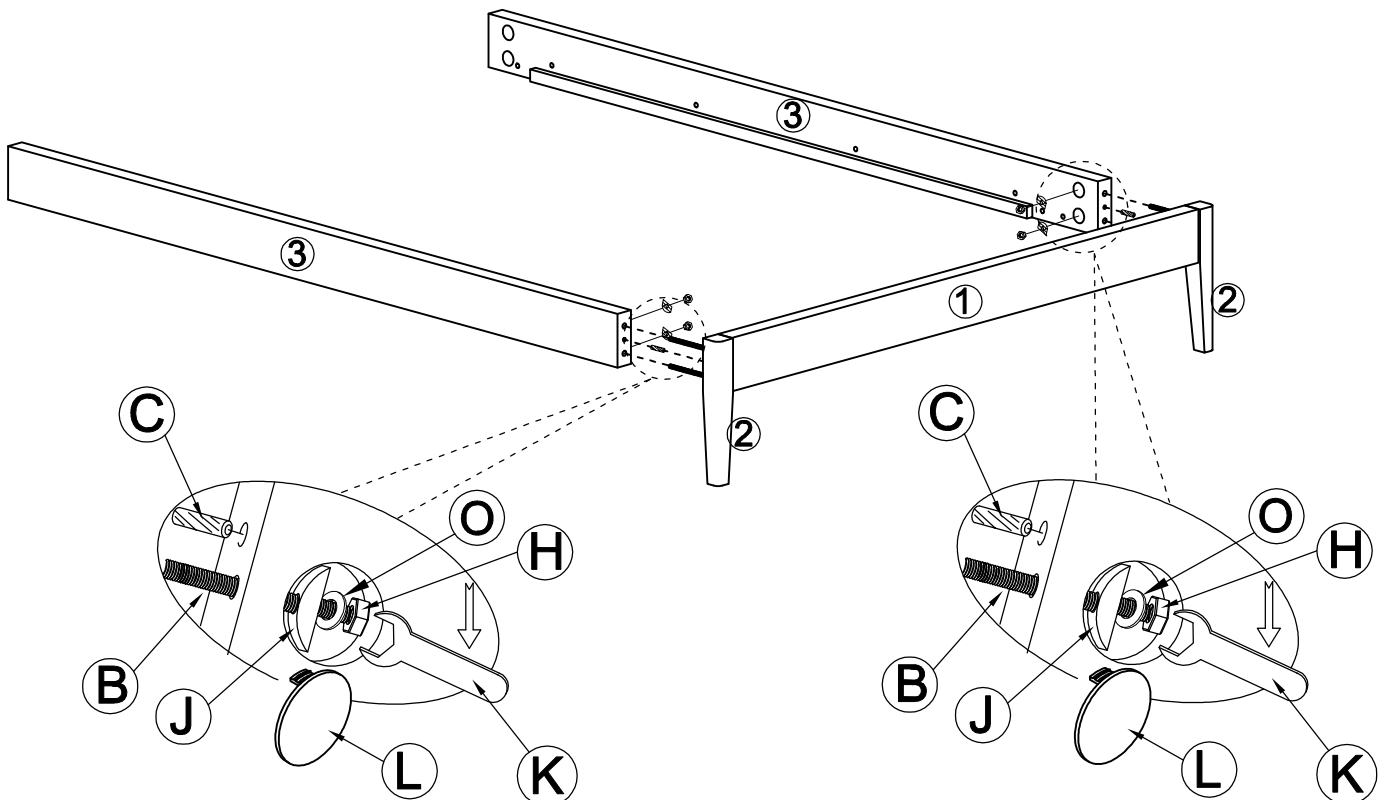
<p>(A) DOUBLE PLASTIC CAP 13PCS</p> 	<p>(B) SCREW ROD Ø8*75mm 12PCS</p> 	<p>(C) CORK Ø10*30mm 6PCS</p> 	<p>(D) SCREW M6*45mm 8PCS</p> 
<p>(E) SCREW M8*45mm 4PCS</p> 	<p>(F) SCREW M6*15mm 20PCS</p> 	<p>(G) CORNER BRACKET 4PCS</p> 	<p>(H) NUT M8 16PCS</p> 
<p>(I) SINGLE PLASTIC CAP 26PCS</p> 	<p>(J) SEMICIRCLE GASKET 12PCS</p> 	<p>(K) SPANNER 1PC</p> 	<p>(L) PLASTIC COVER 12PCS</p> 
<p>(M) ALLEN KEY 5mm 1PC</p> 	<p>(N) ALLEN KEY 4mm 1PC</p> 	<p>(O) WASGER M8 12PCS</p> 	

# ASSEMBLY INSTRUCTION

## STEP 1 FIXING THE FEETS TO FOOTBOARD

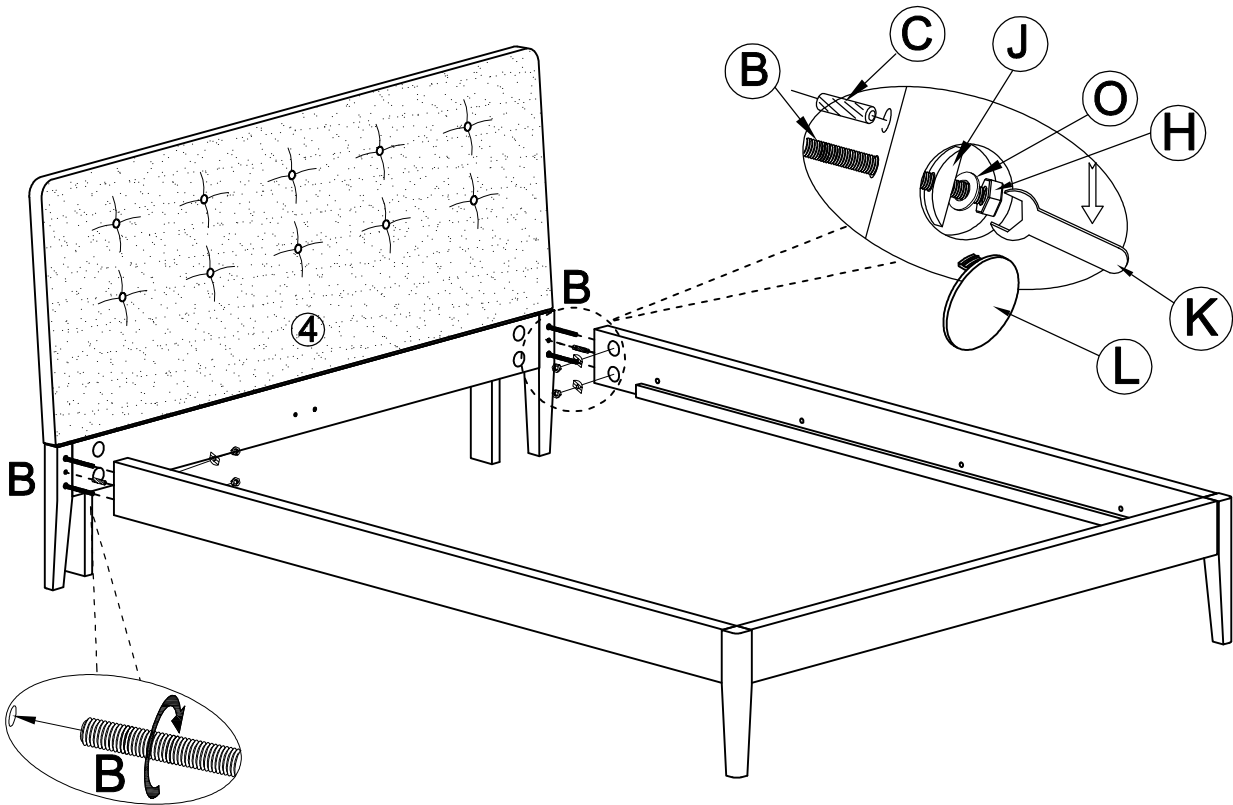


## STEP 2 FIXING SIDE RAIL TO THE FOOTBOARD

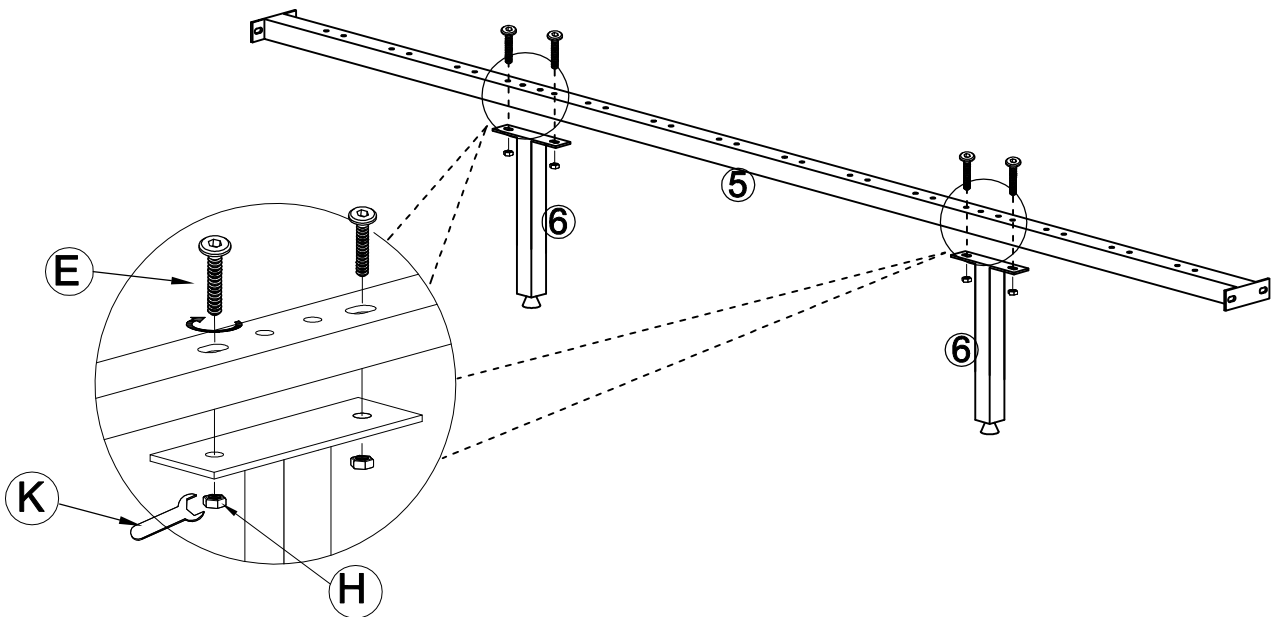


# ASSEMBLY INSTRUCTION

## STEP 3 FIXING SIDE RAILS TO HEADBOARD

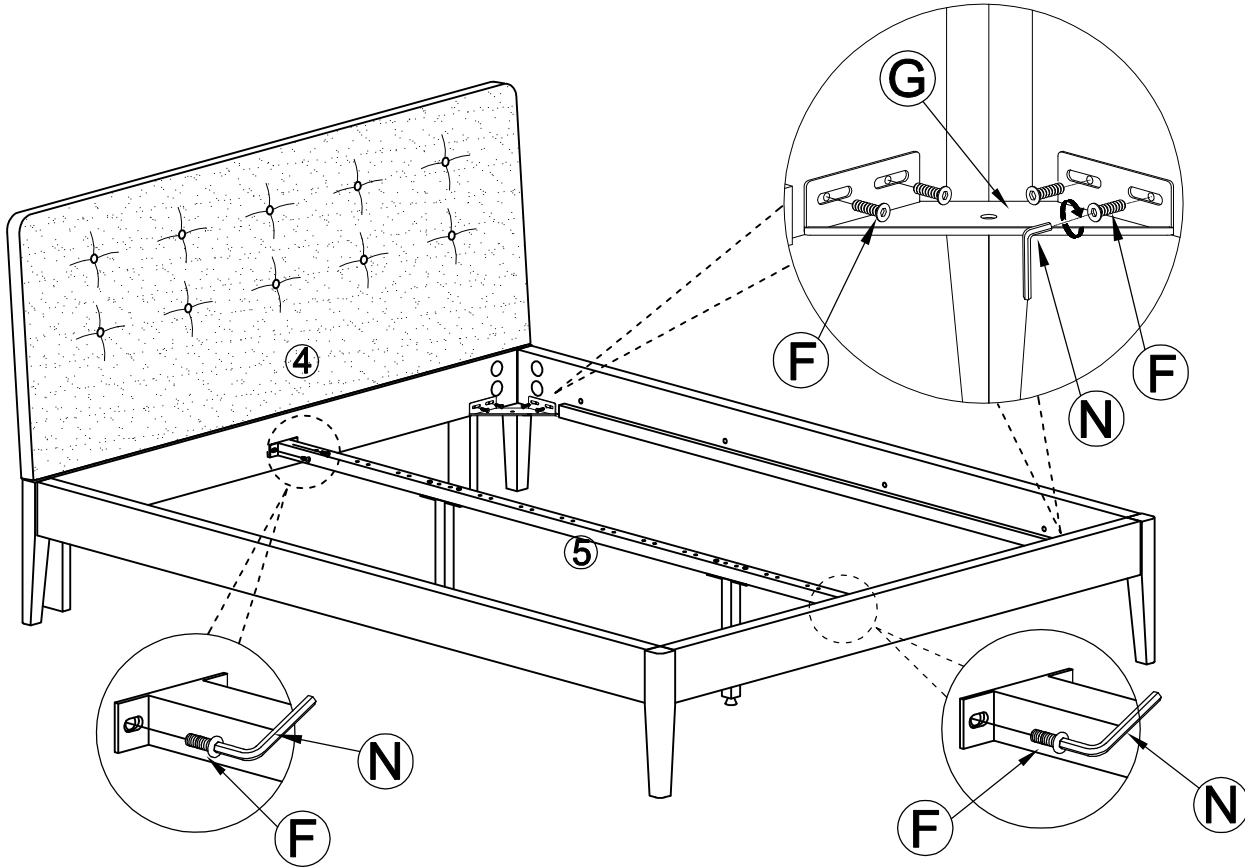


## STEP 4 FIXING SUPPORT LEGS TO CENTRE RAIL

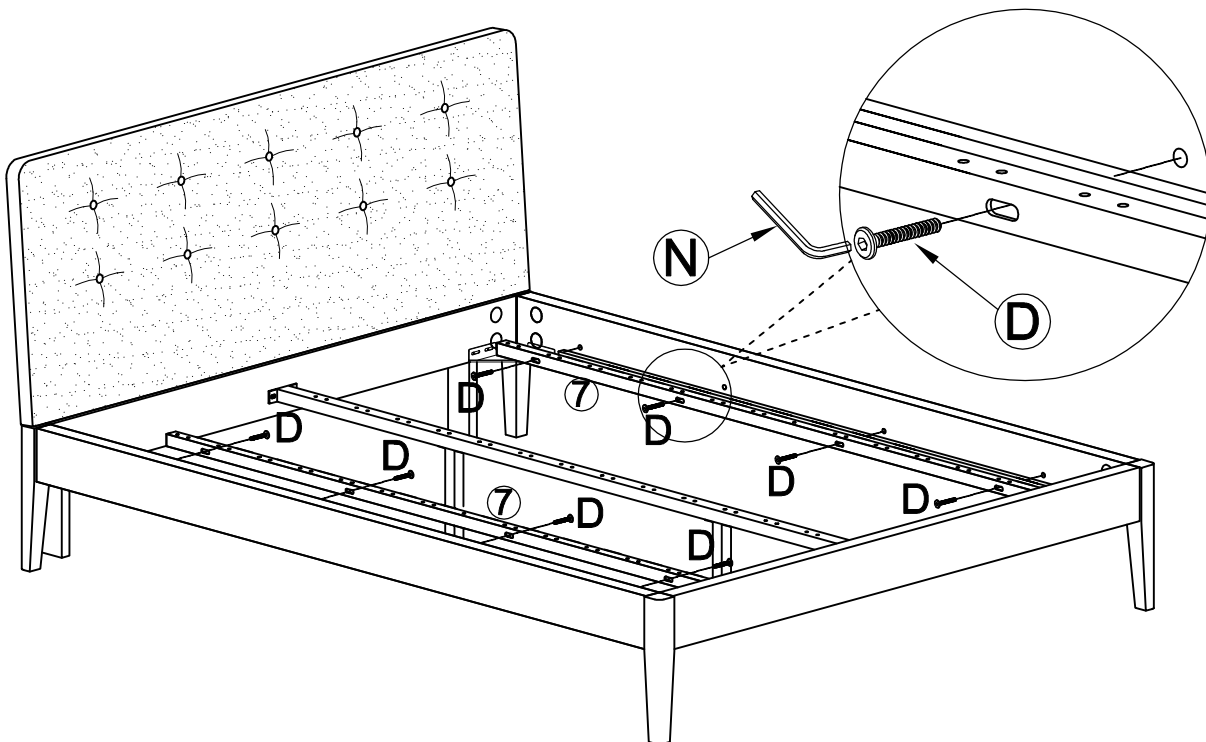


# ASSEMBLY INSTRUCTION

## STEP 5 FIXING CENTRE RAIL TO HEADBOARD AND FOOTBOARD AND CONNECT CORNER BRACKET TO FOOTBOARD & SIDE RAIL



## STEP 6 FIXING SIDE RAIL SUPPORT BAR TO SIDE RAIL



# ASSEMBLY INSTRUCTION

## STEP 7 FIXING DOUBLE PLASTIC CAP & SLATS

