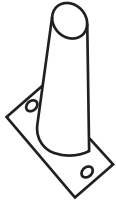


# ASSEMBLY INSTRUCTIONS

## PARTS AND HARDWARE



Leg  
4x



Bolt  
8x



Allen Key  
1x

DIAGRAM 1

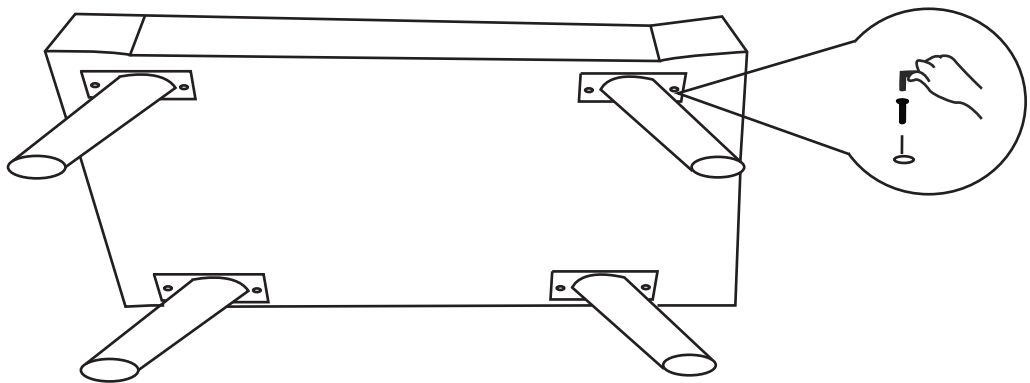


DIAGRAM 2

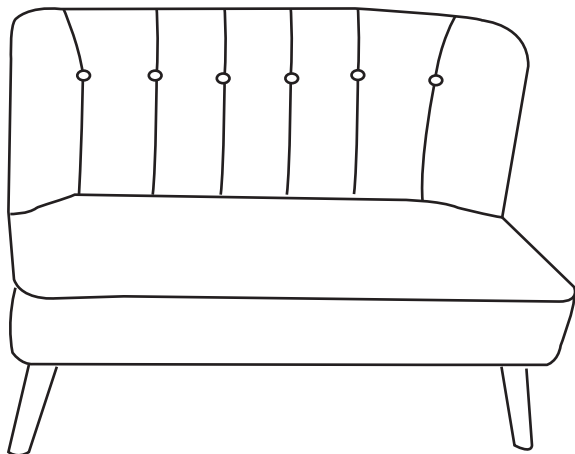
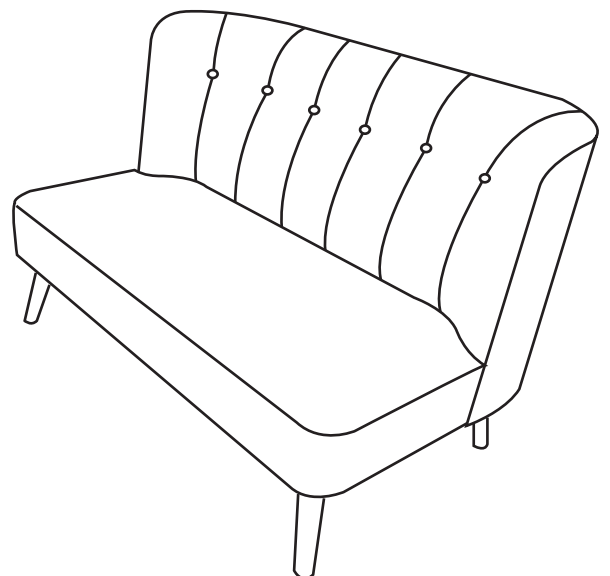
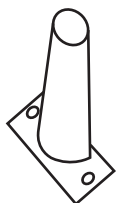


DIAGRAM 3



# ASSEMBLY INSTRUCTIONS

## PARTS AND HARDWARE



Leg  
4x

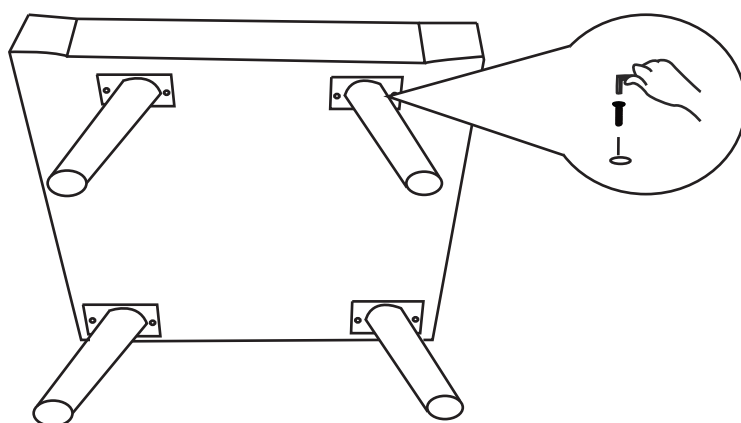


Bolt  
8x

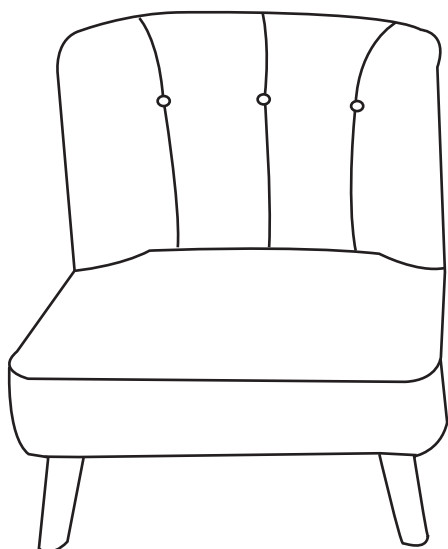


Allen Key  
1x

## DIAGRAM 1



## DIAGRAM 2



## DIAGRAM 3

