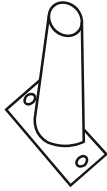
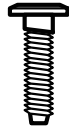


ASSEMBLY INSTRUCTIONS

PARTS AND HARDWARE



Leg
4x



Bolt
8x



Allen Key
1x

DIAGRAM 1

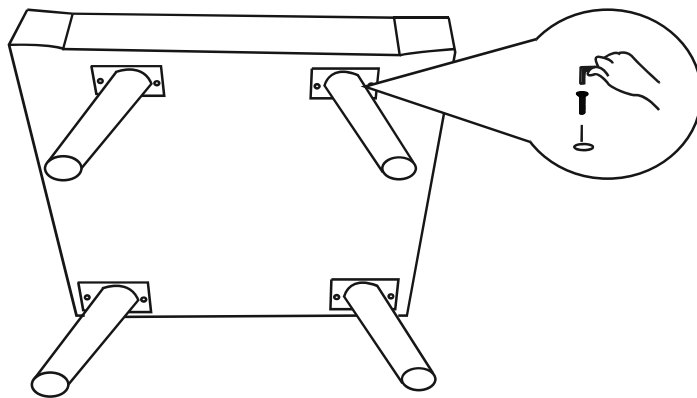


DIAGRAM 2

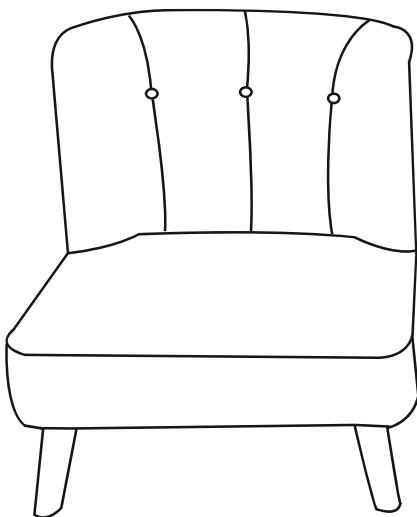


DIAGRAM 3

