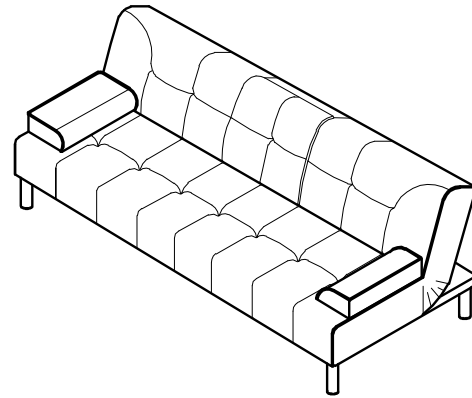


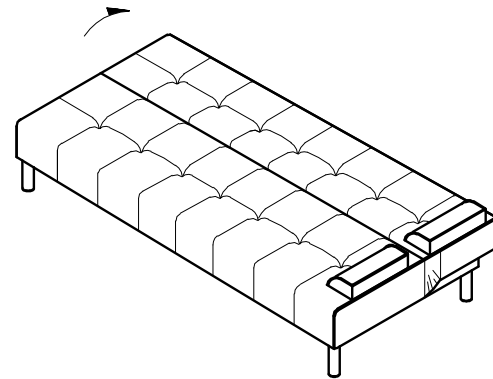
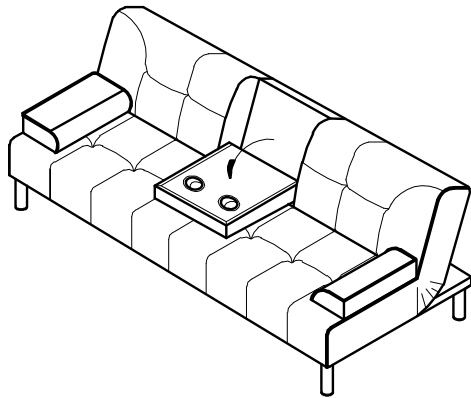
1

2

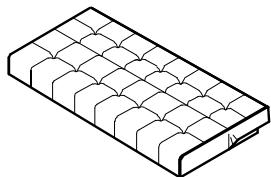


3

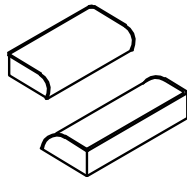
4



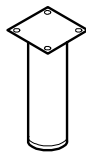
Ax1



Bx2



Cx4



Dx16



Ex1

