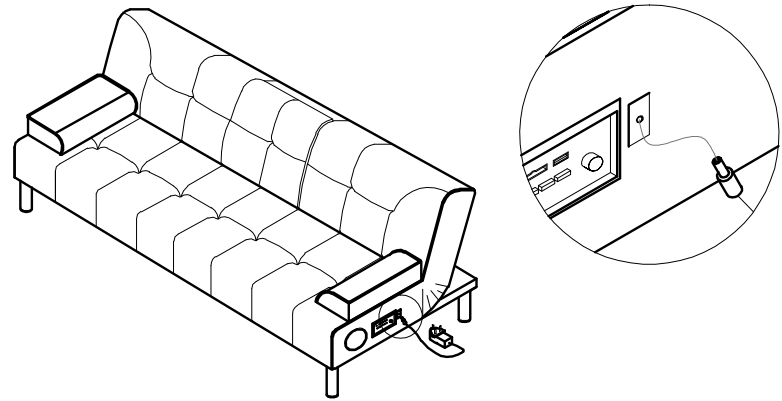
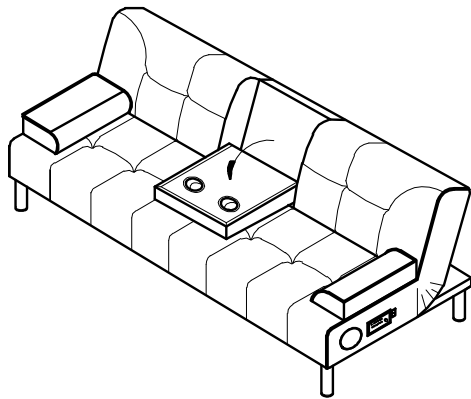


1

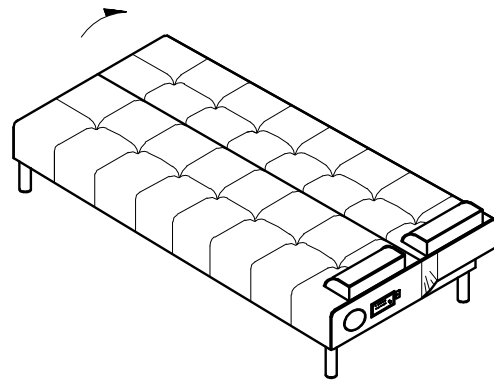


2

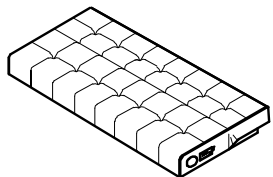


3

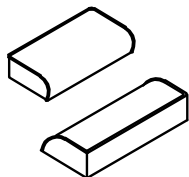
4



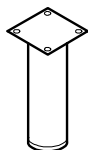
Ax1



Bx2



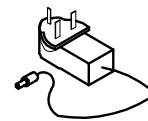
Cx4



Dx16



Ex1



Fx1

