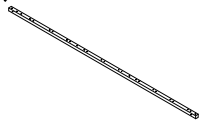
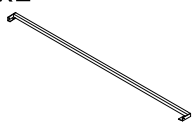


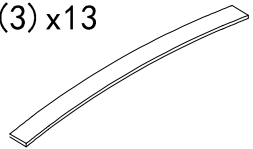
(1) x2



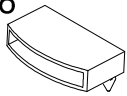
(2) x2



(3) x13



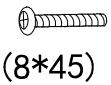
(4) x26



(5) x8



(6) x8



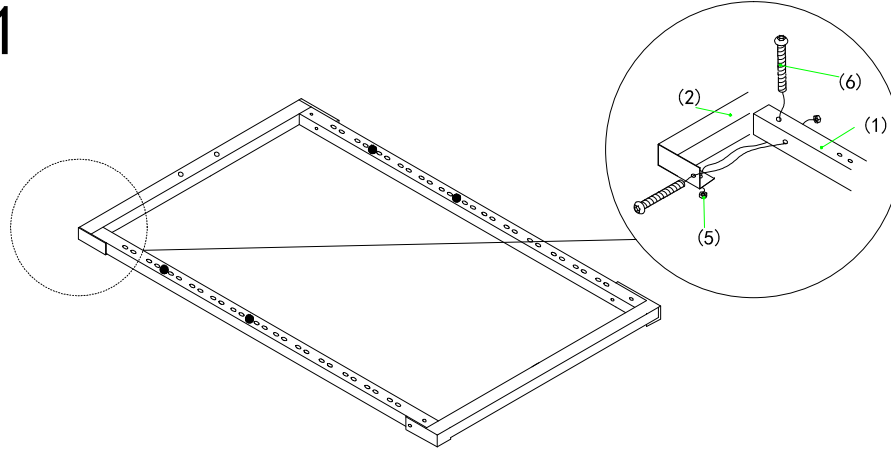
(7) x1



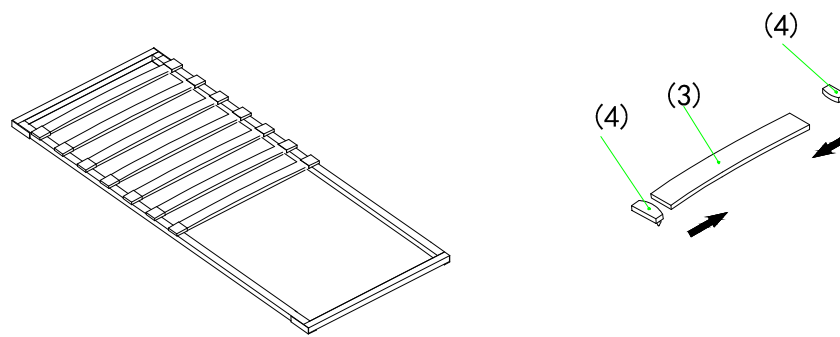
(8) x1



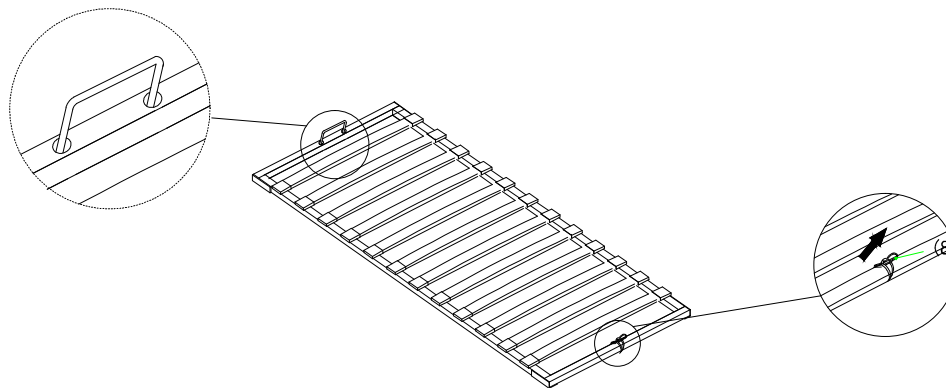
1



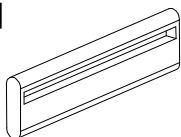
2



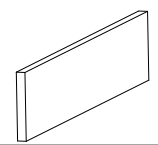
3



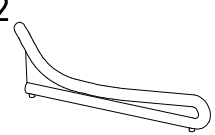
Ax1



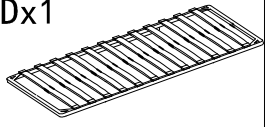
Bx1



Cx2



Dx1



Ex22

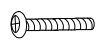


(8*20)

Fx1

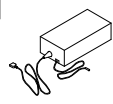


Gx8

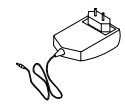


(8*40)

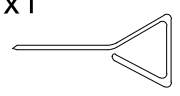
Hx1



Ix1



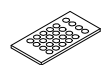
Jx1



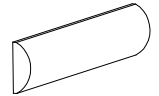
Kx1



Lx1



Mx1



Nx1



Ox6



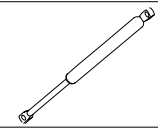
Px2



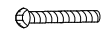
Qx2



Rx2



Sx4

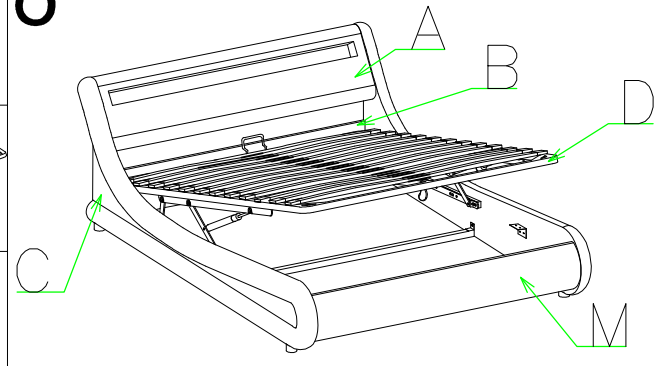


(8*50)

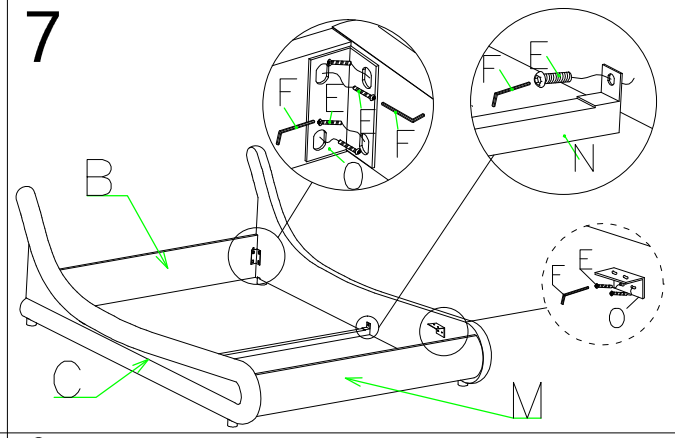
Tx4



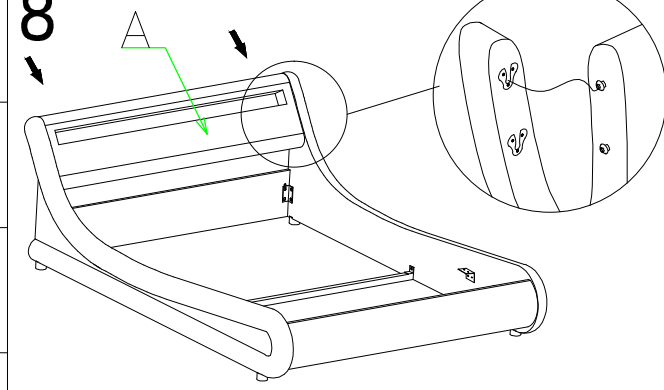
6



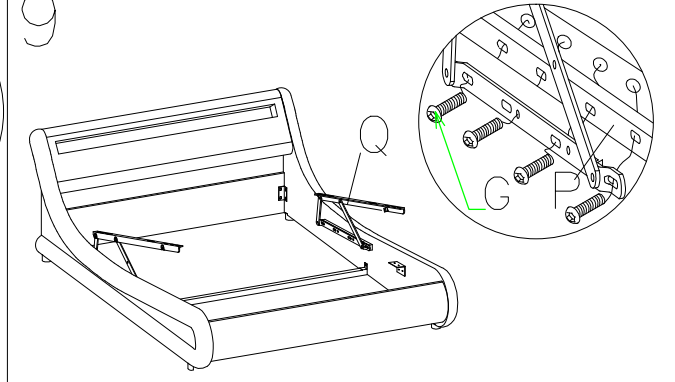
7



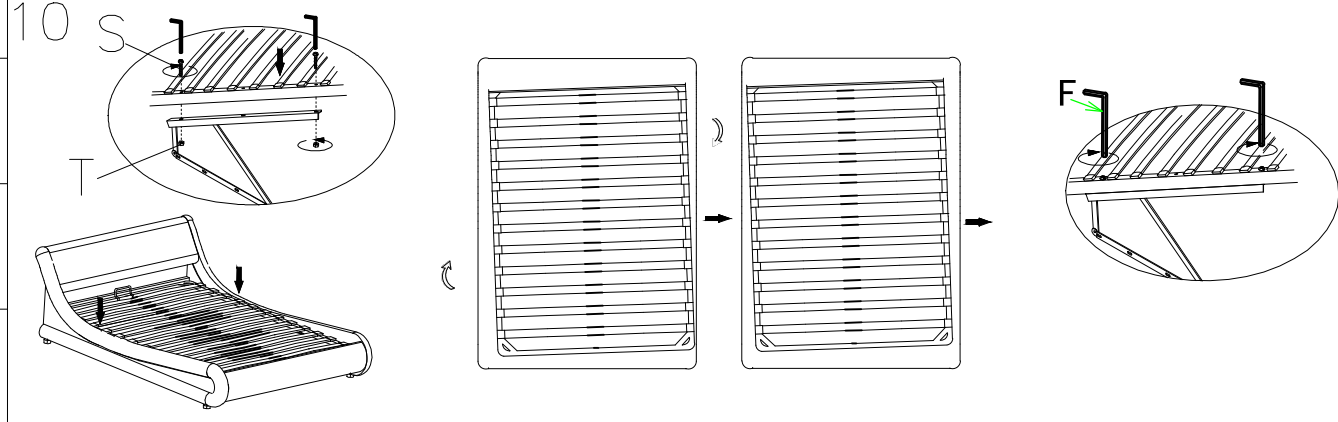
8



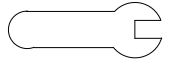
9



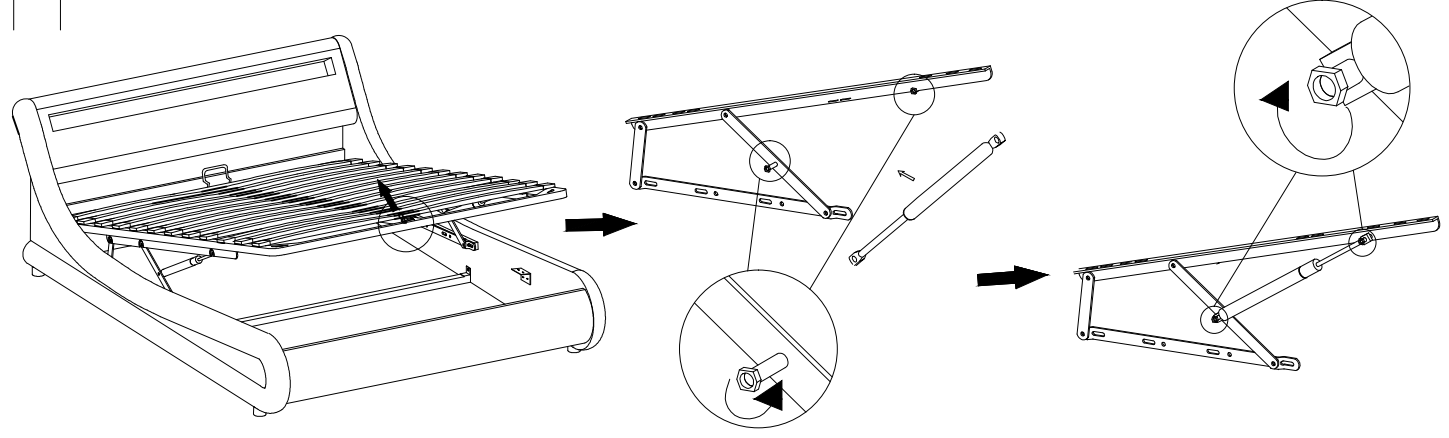
10



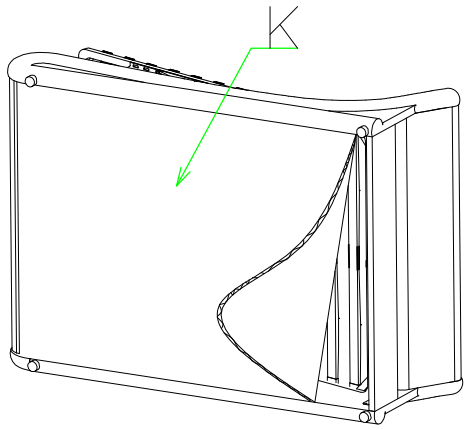
ux1



11



12



13

