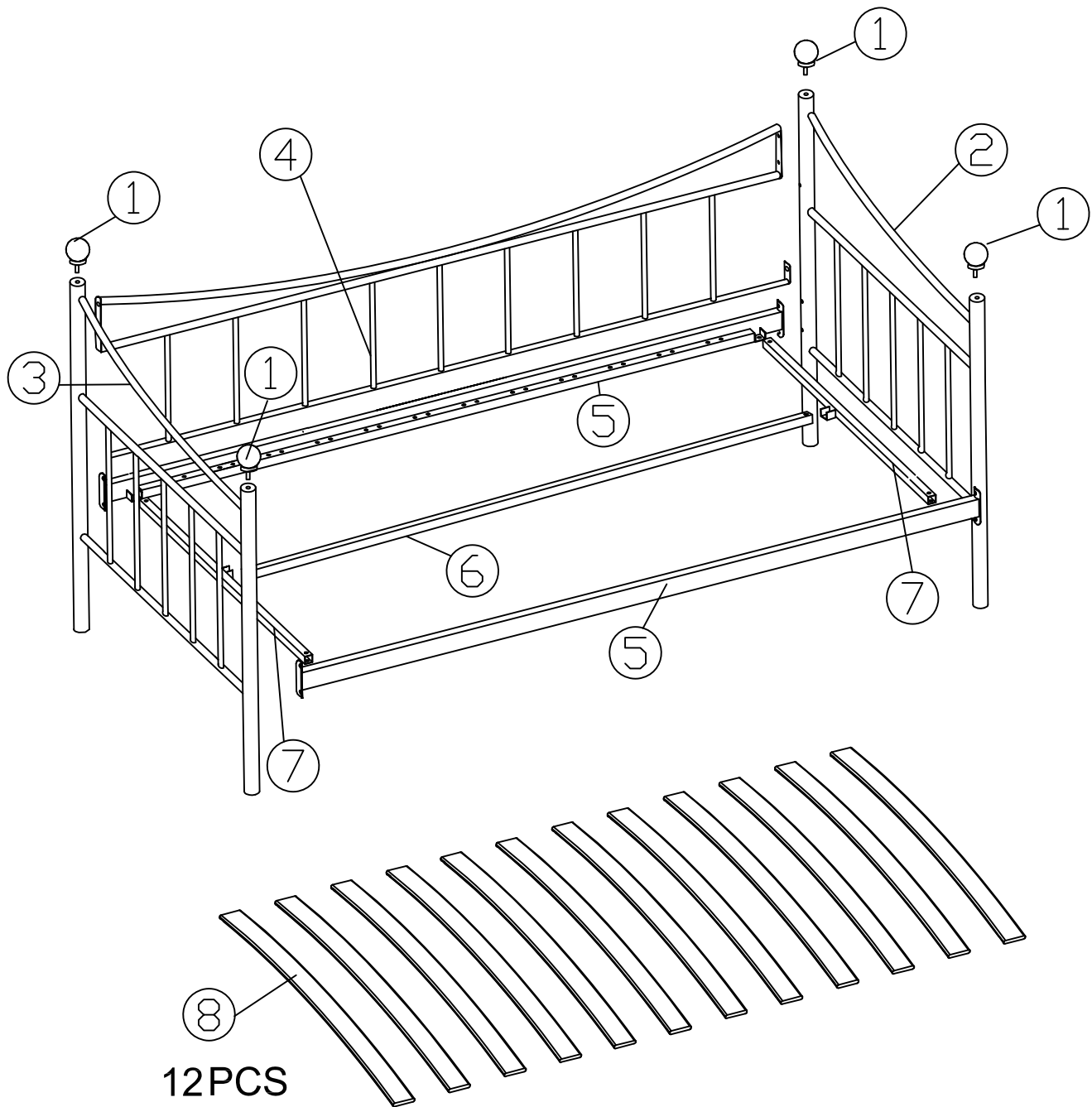
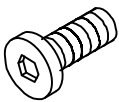
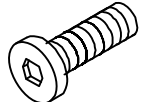

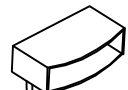
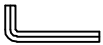
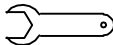
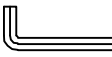


ICKLEFORD DAY BED ASSEMBLY INSTRUCTION

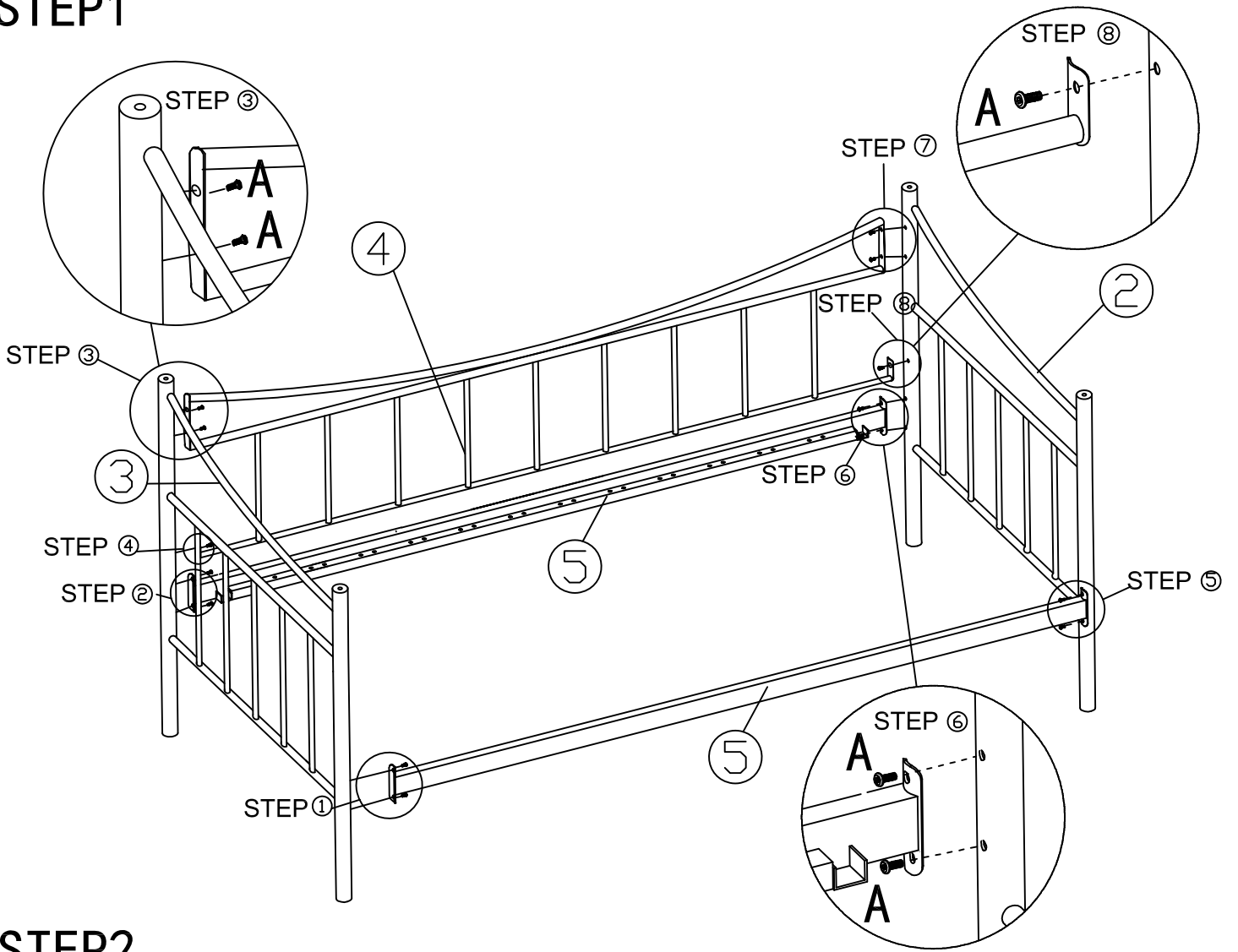


Two adults are required to assemble this bed

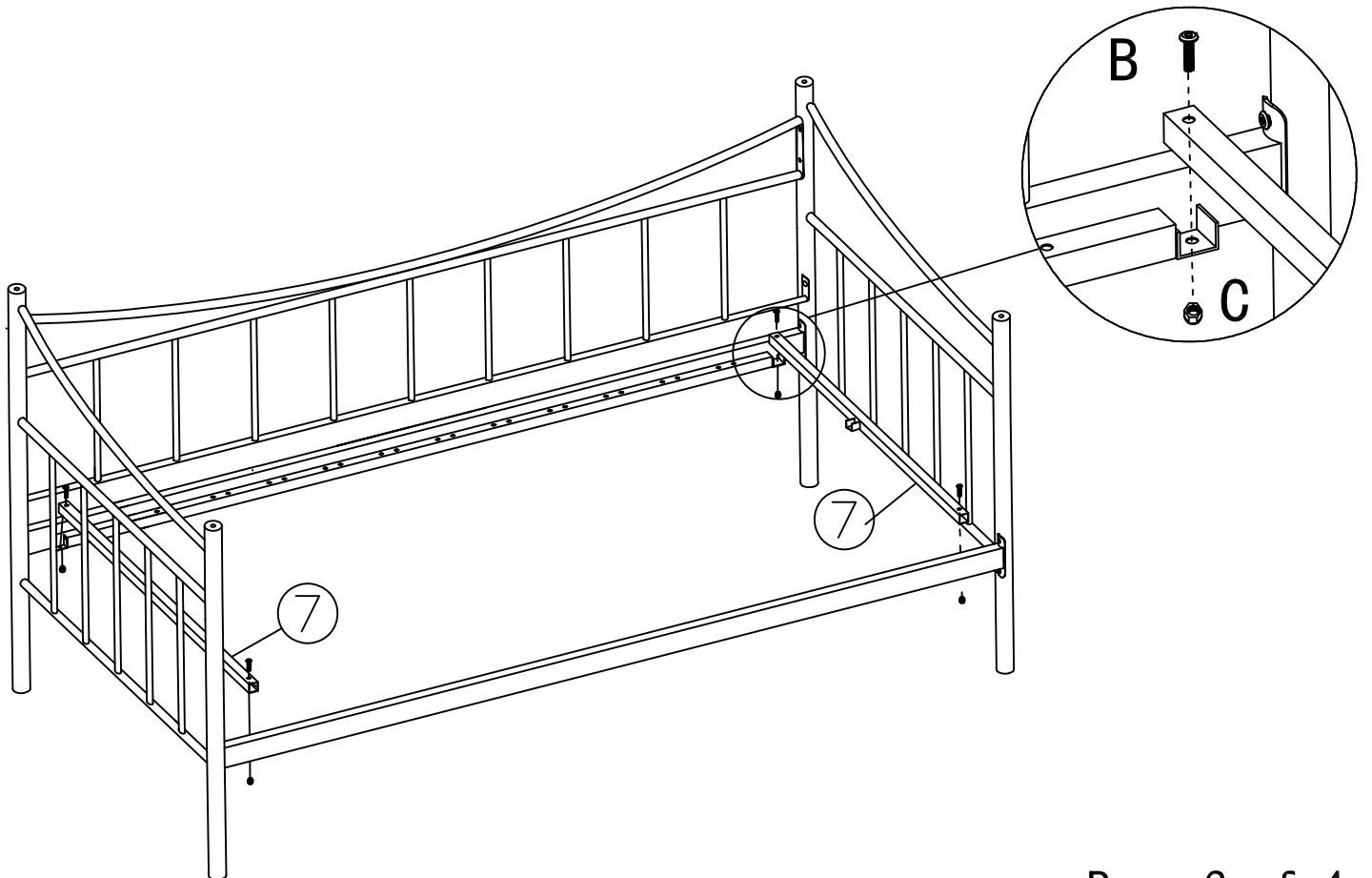


<p>A</p>  <p>M8*20MM 14PCS</p>	<p>B</p>  <p>M6*35MM 6PCS</p>	<p>C</p>  <p>M6 6PCS</p>	<p>D</p>  <p>24PCS</p>
<p>E</p>  <p>M4 1PC</p>	<p>F</p>  <p>1PCS</p>	<p>G</p>  <p>M5 1PC</p>	

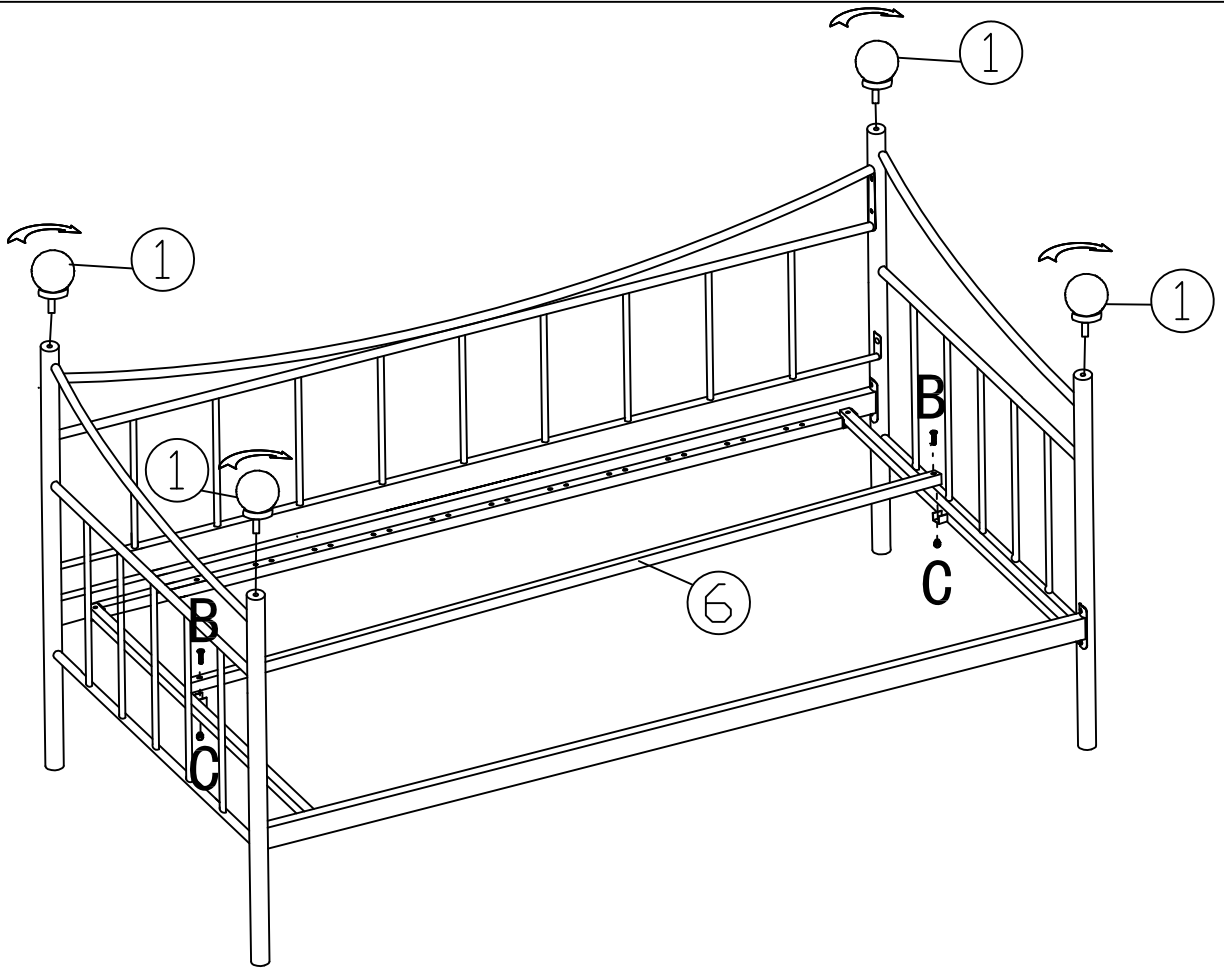
STEP 1



STEP 2



STEP3



STEP4

