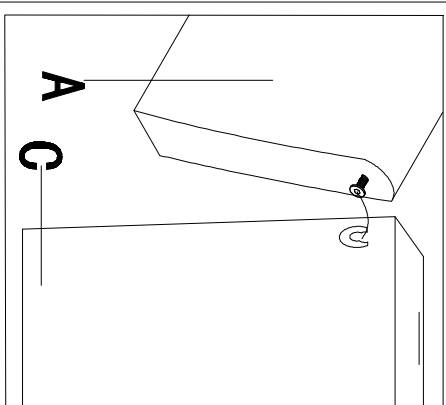
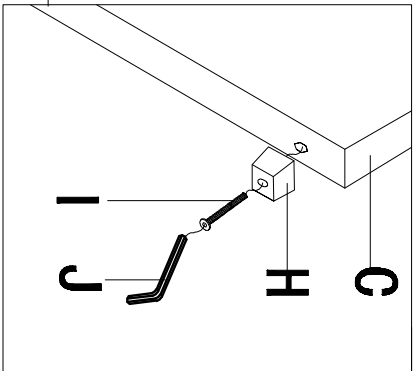
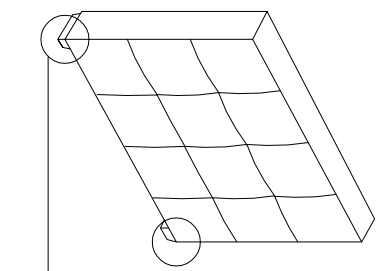
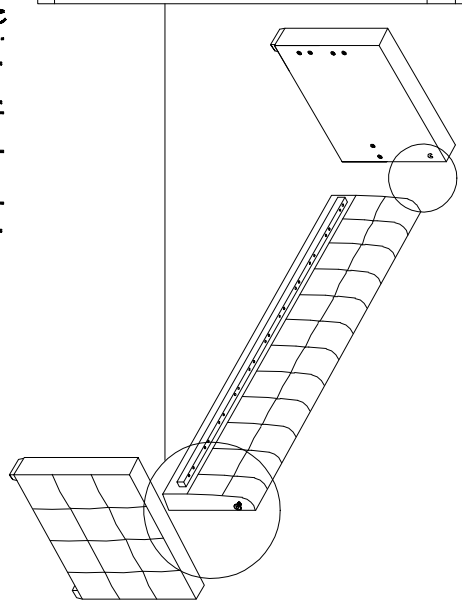


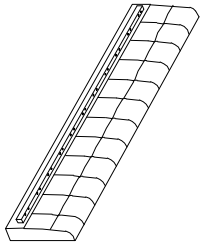
Fixed the legs onto bottom of arms (Part G)



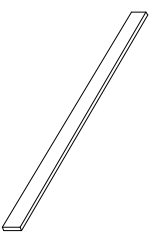
Slide the back (Part A) into the bracket on arms



A x 1

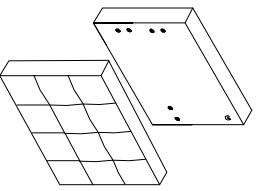


B x 1



Part B is similar to part R but it is bigger and covered with fabrics same as arms

C x 2

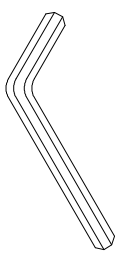


D x 36



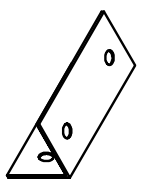
M8x25

E x 1

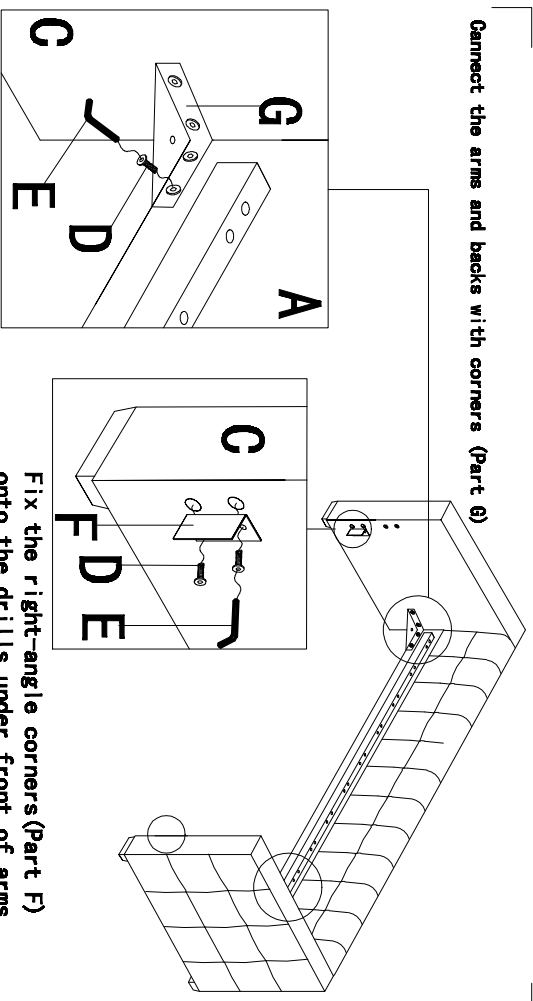


M8

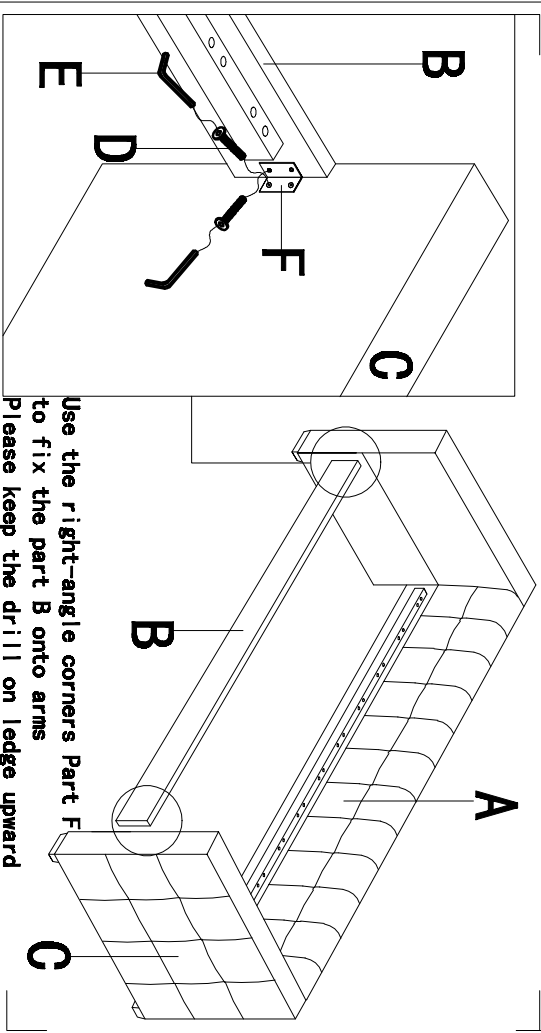
F x 8



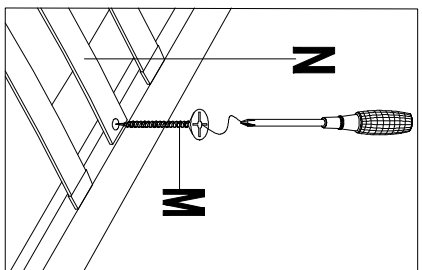
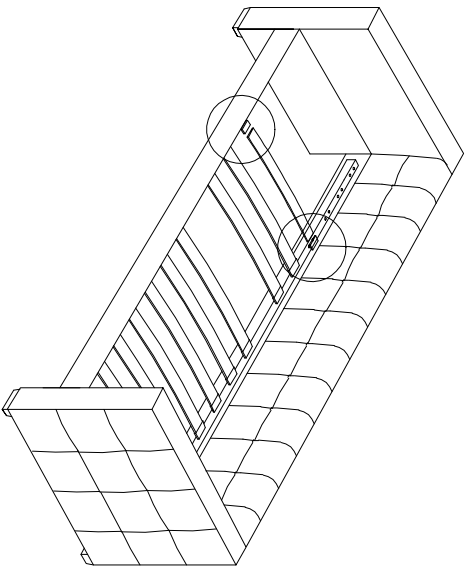
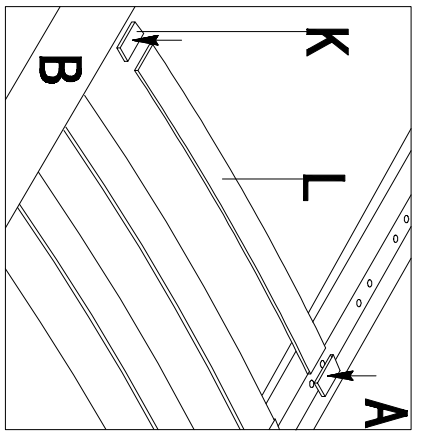
Connect the arms and backs with corners (Part G)



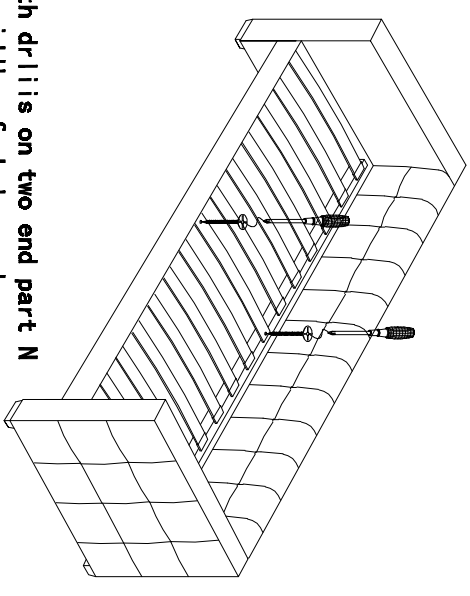
Fix the right-angle corners (Part F) onto the drills under front of arms



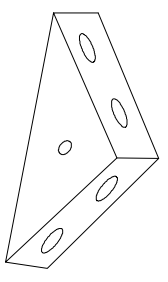
Use the right-angle corners Part F to fix the part B onto arms
Please keep the drill on ledge upward



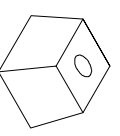
Please fix the slat with drills on two end part N onto the ledges in the middle of whole up-dase



Gx2



Hx4

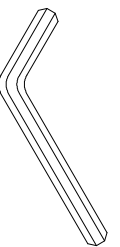


Ix4



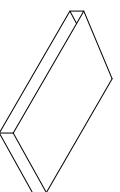
M6x50

Jx4

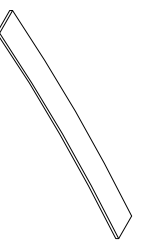


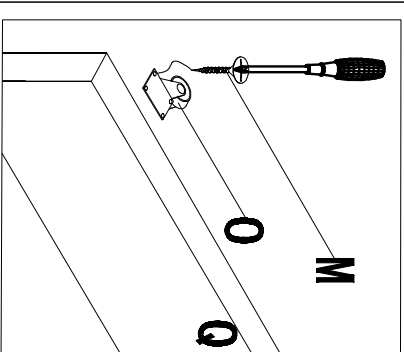
M6

Kx50

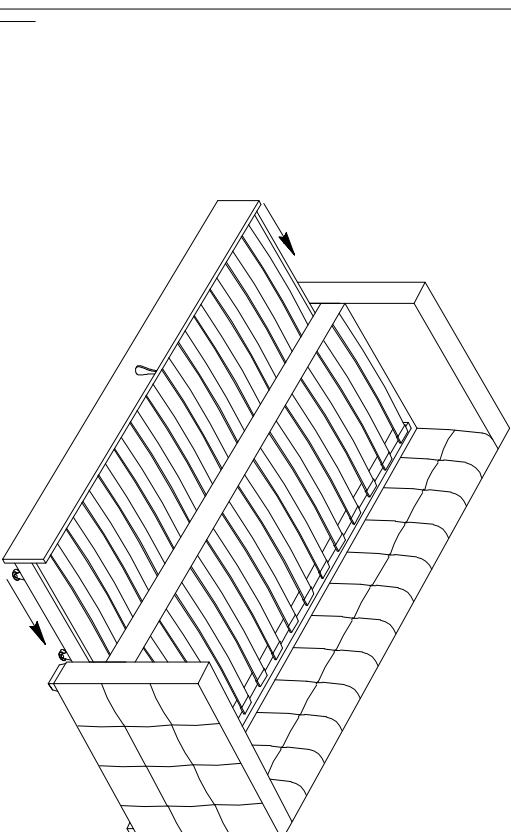
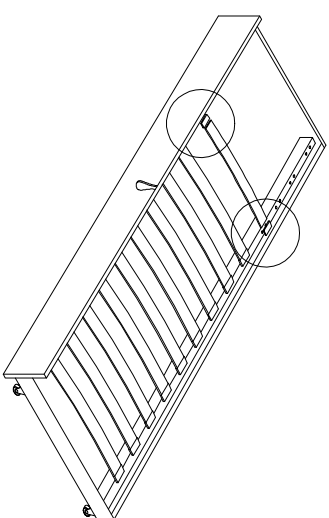
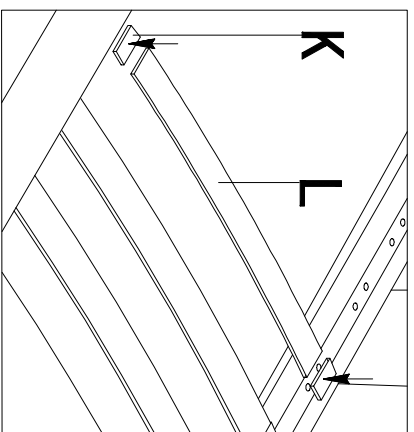
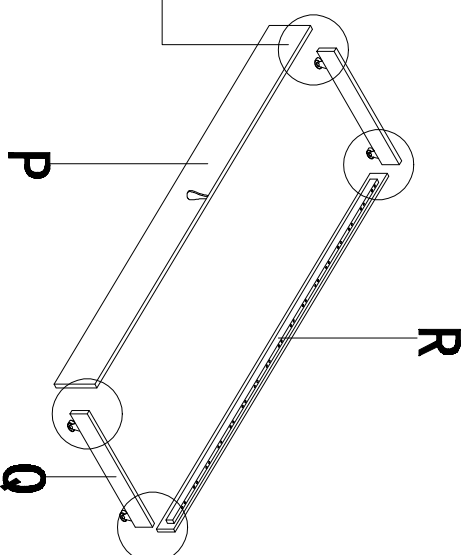
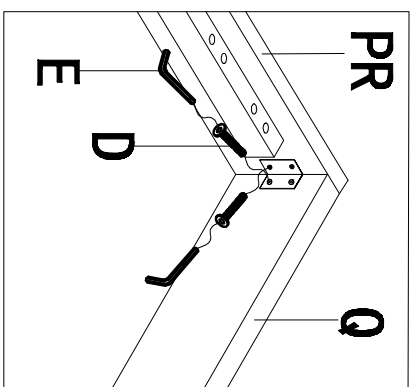
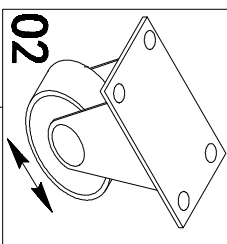
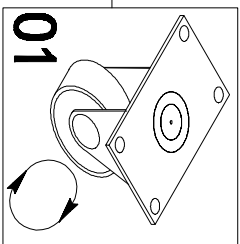
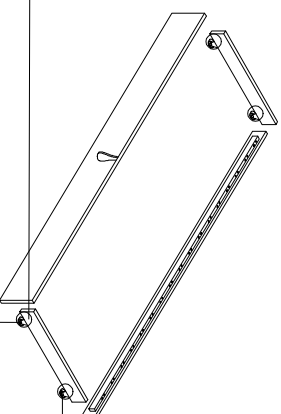


Lx25

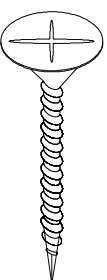




Fix the 01 swivel castors on the bottom of part Q in the front end and fix the 02 fixed castors on the bottom of Part Q in the back end

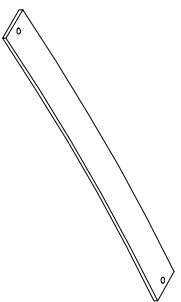


Mx18

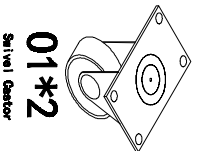


M4x30

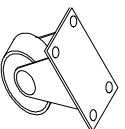
Nx1



0x4

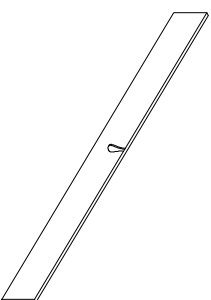


01*2
Swivel Castor

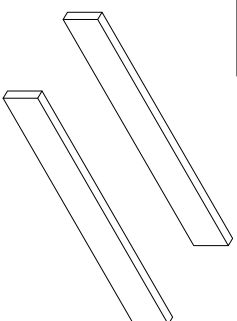


02*2
Fixed Castor

Px1



Qx2



Rx1

Part R is smaller than part B the covers are black on one side

