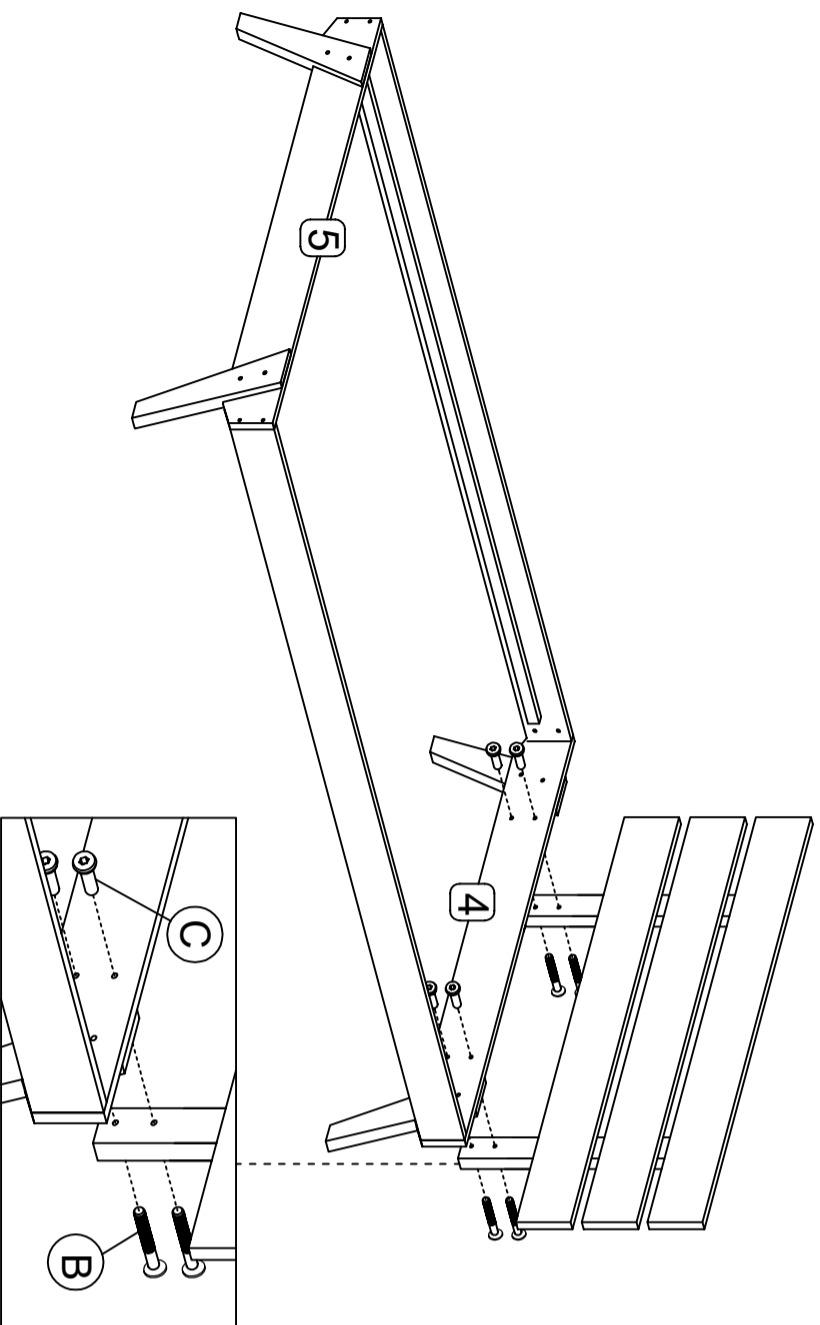


STEP 5 Required Fittings : B x 4 pcs C x 4 pcs

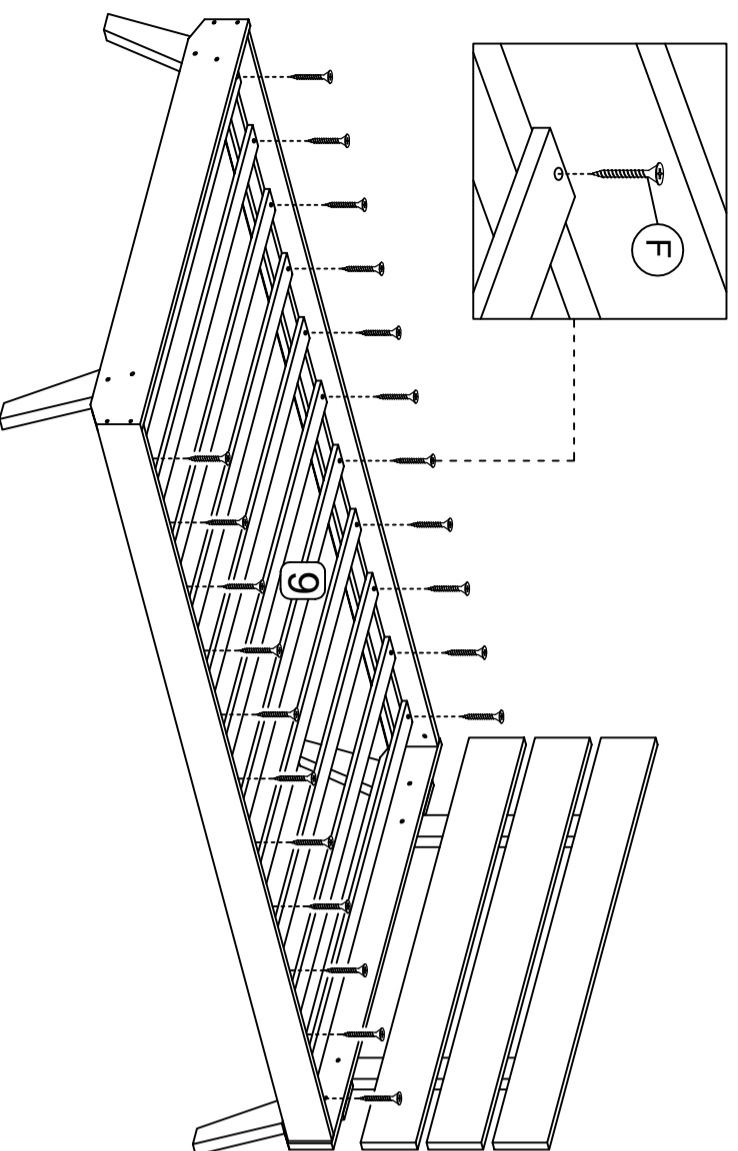
Assemble Headboard Support Bar With Headboard Rail



STEP 6 Required Fittings : F x 22 pcs

Attach Slats To Bed Frame.

- Useful Tips :
- Carefully place those slats onto the bed frame to prevent scratches.
 - Drill in the first and last piece of slats in order to hold the position before drilling the rest of the slats.



ASSEMBLY INSTRUCTIONS

HARTFORD

Single bed frame
**BEFORE YOU START,
 HERE IS SOME
 HELPFUL ADVICE**

We suggest you spend a short time reading through this leaflet and follow the simple step-by-step assembly instructions.

Do not discard any of the packaging until you have checked that you have all the parts and the pack of fittings.

Assemble this product on a flat surface.

Assemble all parts loosely before tightening any bolts.

Discard all extra fittings and keep fittings out of reach of children.

To clean, wipe clean with a damp cloth.

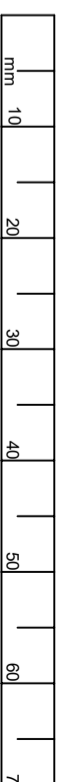
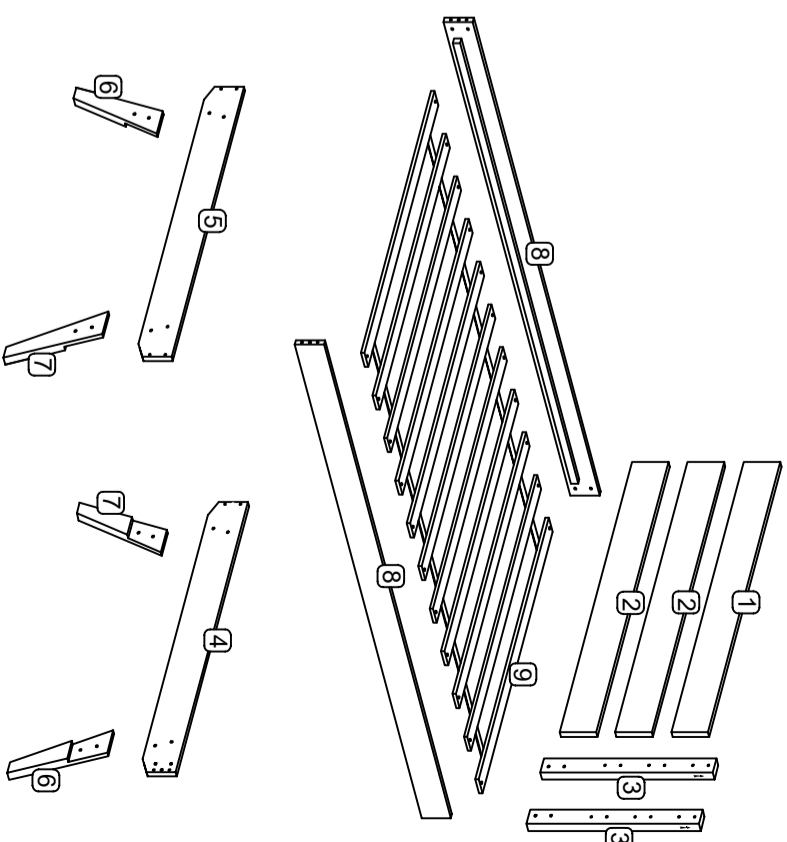
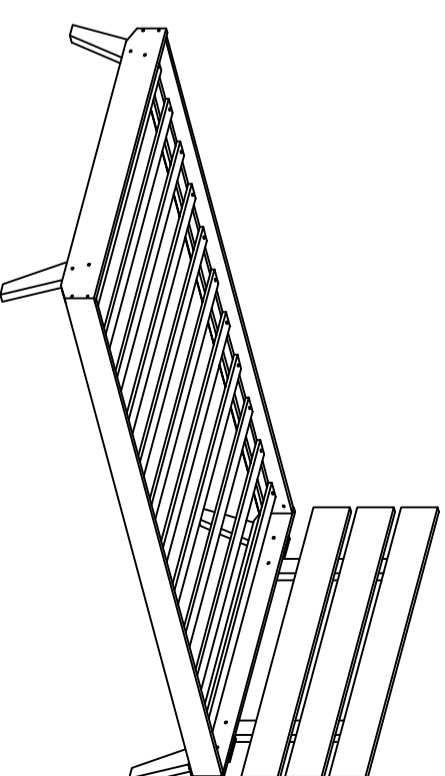
Retain Assembly Instruction for future reference.

PARTS AND FITTINGS LIST

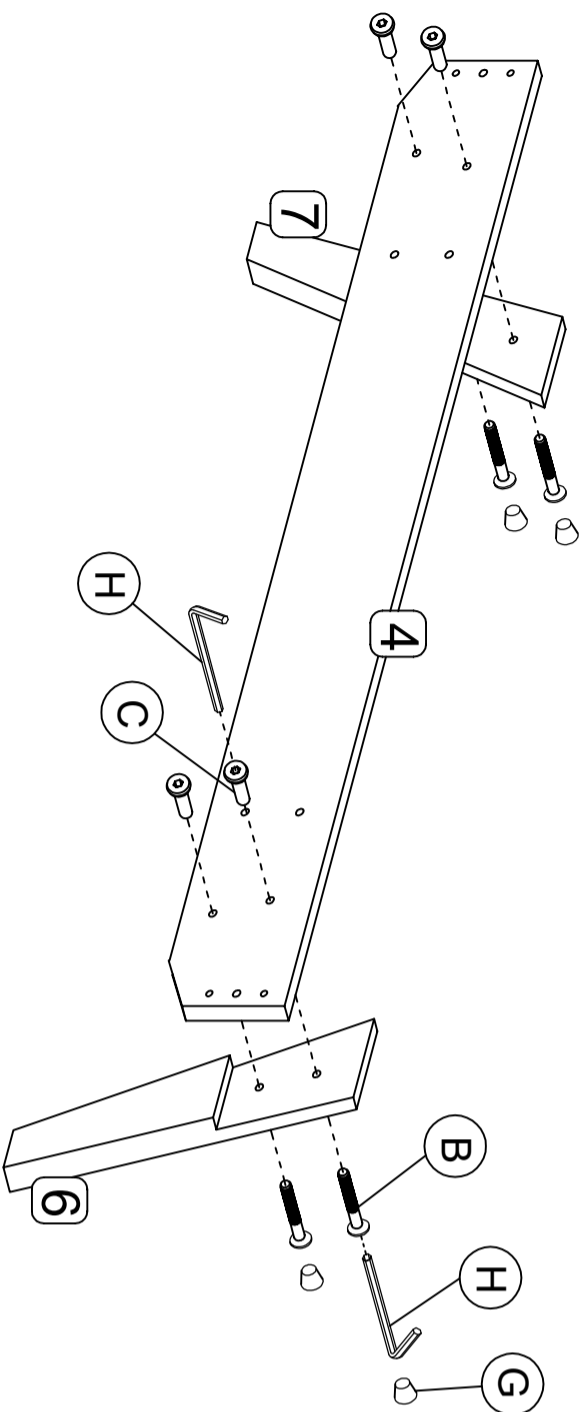
CODE	DESCRIPTION	QTE.
1	HEADBOARD CAPPING PANEL	1
2	HEADBOARD PANEL	2
3	HEADBOARD SUPPORT BAR	2
4	HEADBOARD RAIL	1
5	FOOTBOARD RAIL	1
6	LEG	2
7	LEG	2
8	SIDE RAIL	2
9	SLATS	1 SET

FITTINGS LIST

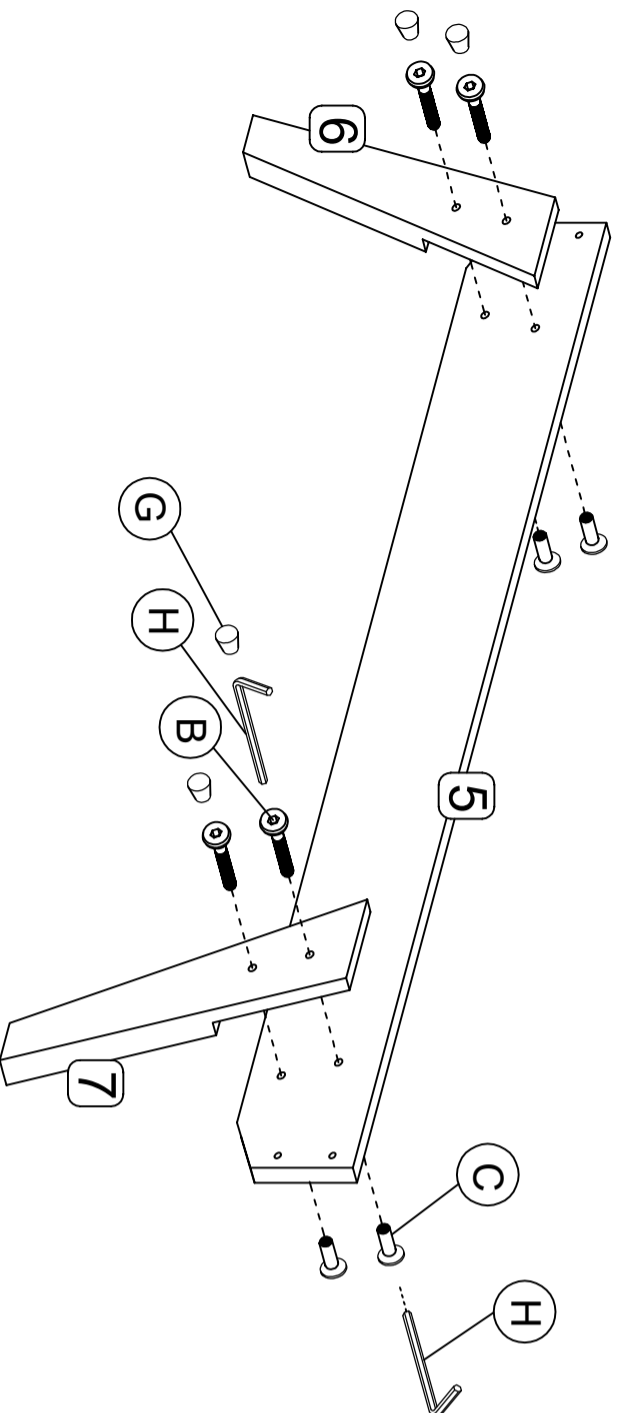
CODE	DESCRIPTION	QTE.
A	JCBC M6 x 60mm	8
B	JCBC M6 x 40mm	24
C	JCN M6 x 15mm	12
D	WOOD DOWEL 10 x 30mm	4
E	BARREL NUT M6 x15mm	8
F	CSK SCREW 4 x 25mm	22
G	WOOD BUTTON	16
H	ALLEN KEY M4	2



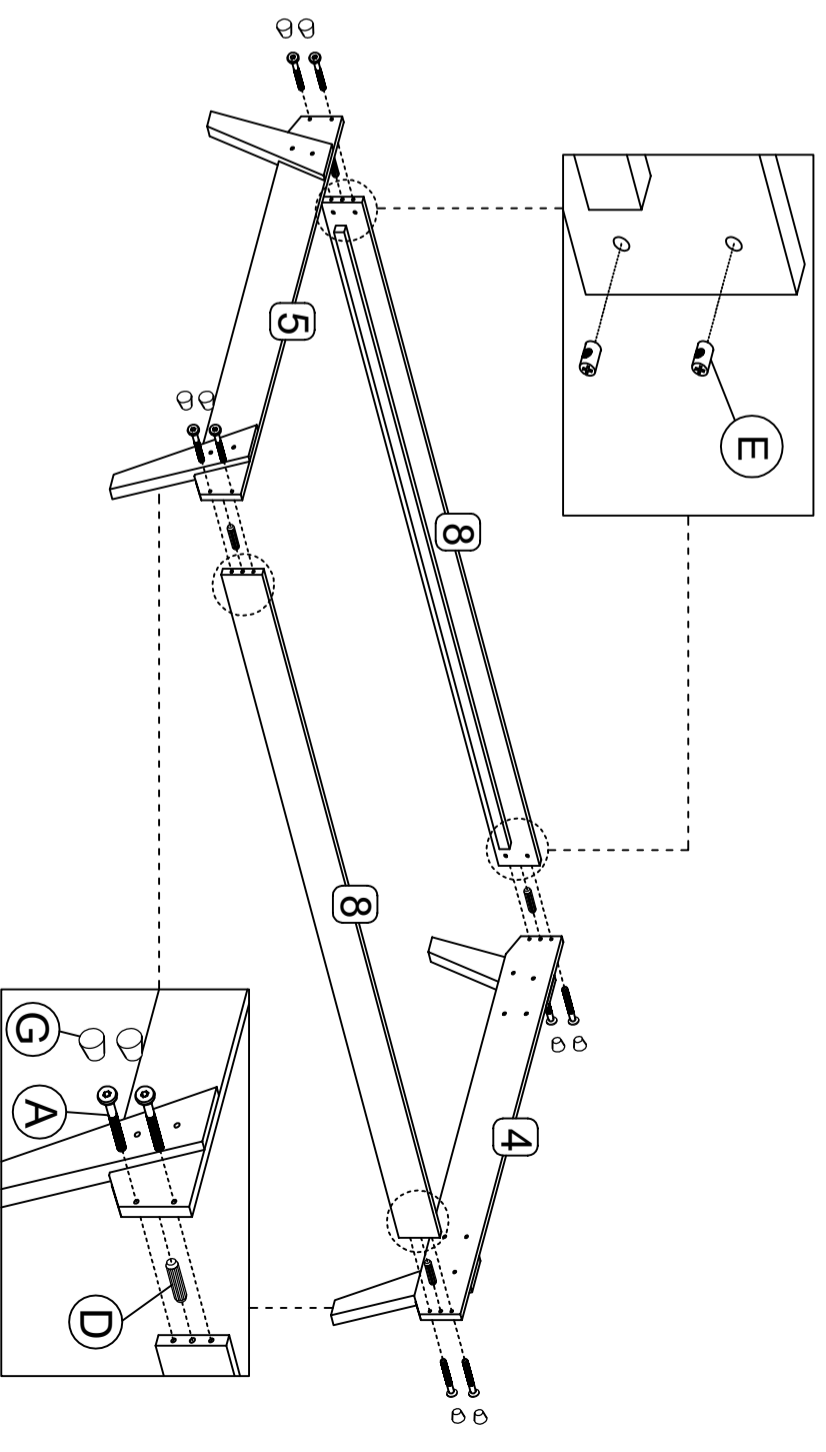
STEP 1 Required Fittings : B x 4 pcs C x 4 pcs H x 2 pcs G x 4 pcs
Assemble Headboard Rail With Legs



STEP 2 Required Fittings : B x 4 pcs C x 4 pcs H x 2 pcs G x 4 pcs
Assemble Footboard Rail With Legs



STEP 3 Required Fittings : A x 8 pcs D x 4 pcs E x 8 pcs G x 8 pcs
Attach Head & Footboard Rail With Side Rails



STEP 4 Required Fittings : B x 12 pcs
Assemble Headboard Capping Panel & Headboard Panel
With Headboard Support Bar

