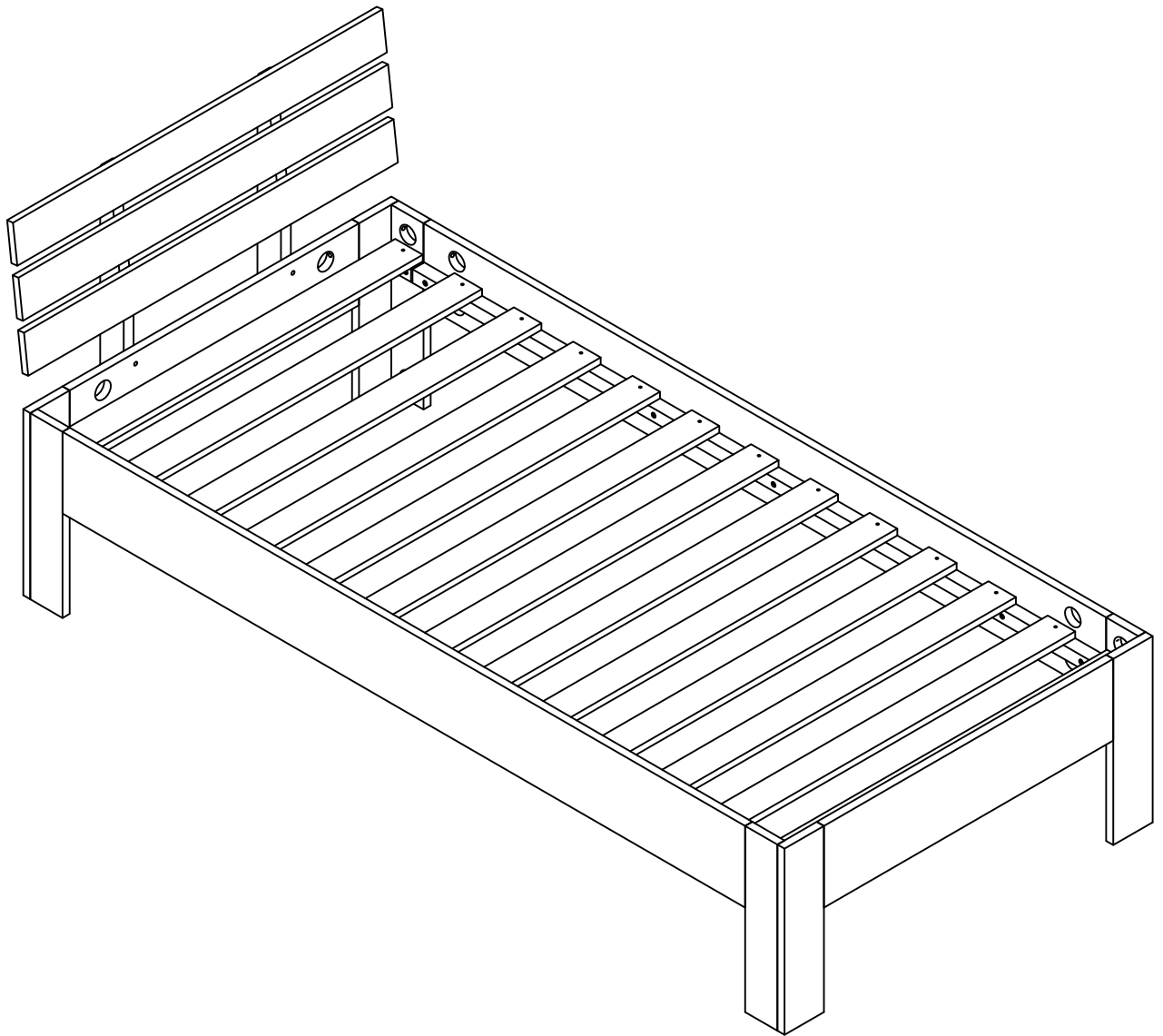
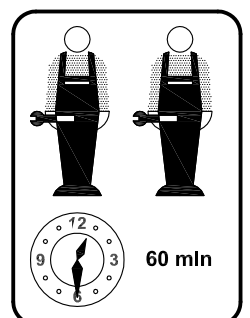


90*190cm BED

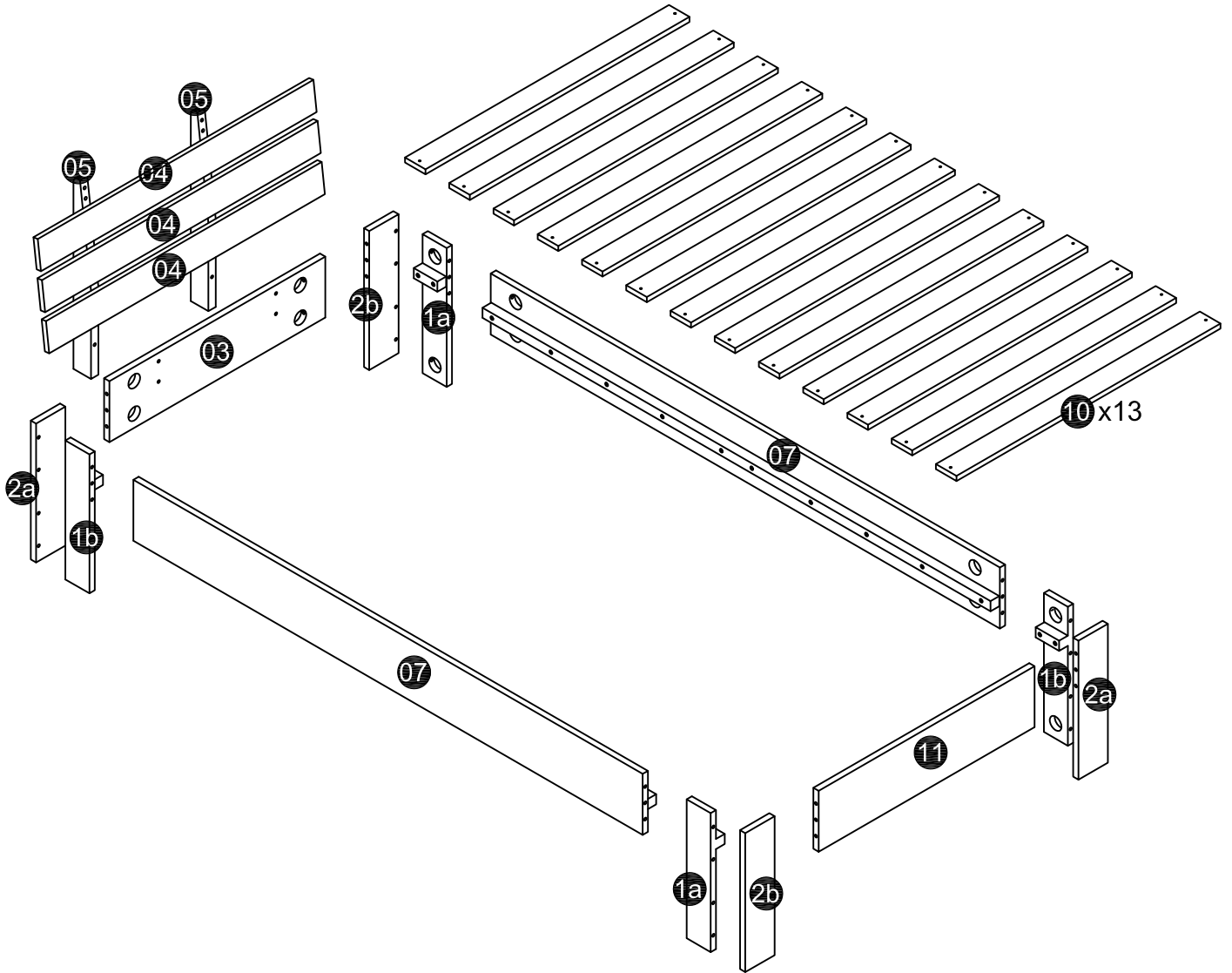


READ THE ASSEMBLY INSTRUCTIONS CAREFULLY. IDENTIFY THE ELEMENTS CONSTITUING YOUR PIECE OF FURNITURE. GROUP AND CHECK THE HARDWARE FITTINGS. GET THE TOOLS NEEDED. CLEAR SPACE TO WORK. PROCEED TO ASSEMBLE

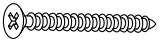

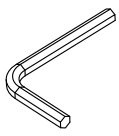




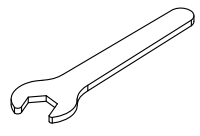
NEVER FORCE THE FITTINGS. TIGHTEN THE SCREW AFTER USING FOR SOMETIME. KEEP YOUR ASSEMBLY INSTRUCTIONS, IT COULD HELP FOR BETTER COMMUNICATION WITH YOUR STORE. IN THE EVENT OF QUERY.



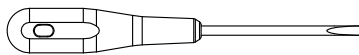
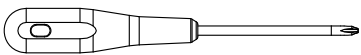
EXPLODED VIEW



HARDWARE

<p>A x26</p>  <p>Ø4 x30mm</p>	<p>B x12</p>  <p>M6 x40mm</p>	<p>C x2</p> 	<p>D x16</p>  <p>Ø8 x30mm</p>	<p>F x4</p>  <p>M6 x60mm</p>
<p>G x24</p>  		<p>L x1</p> 		

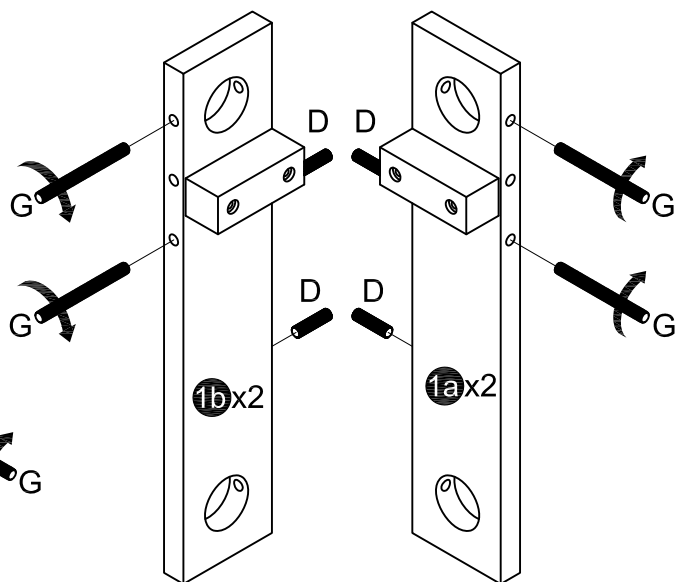
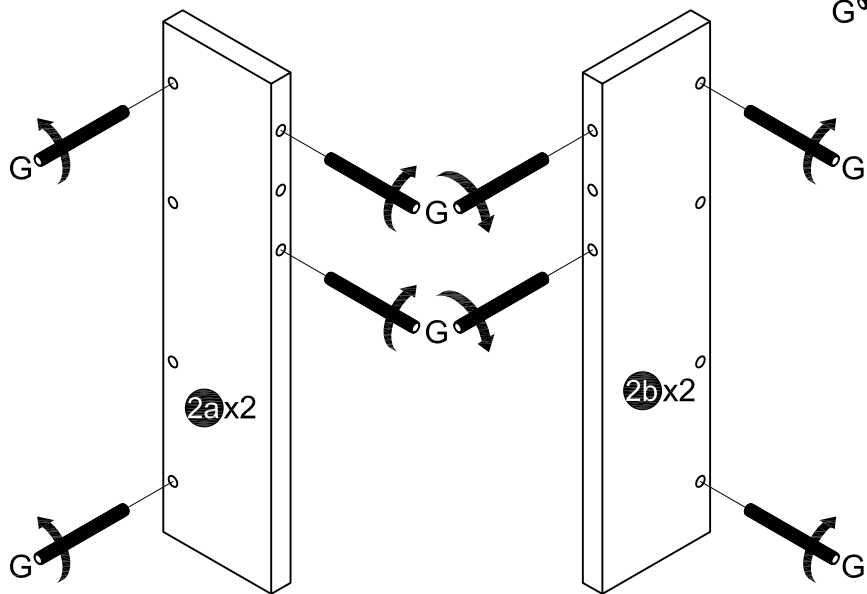
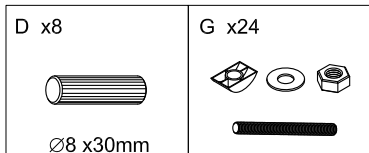
TOOLS



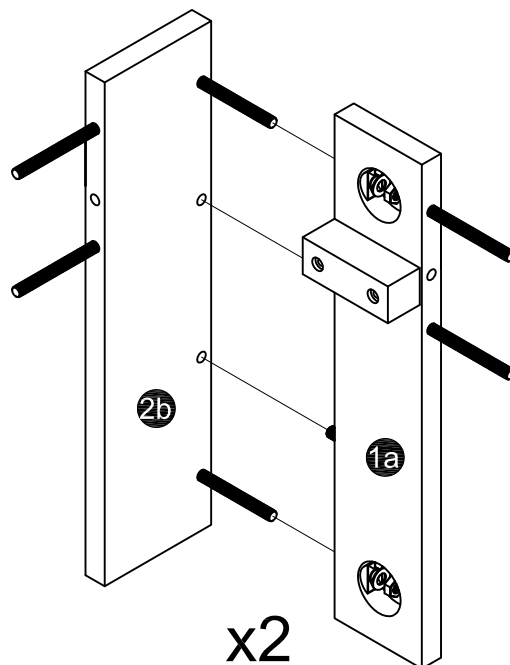
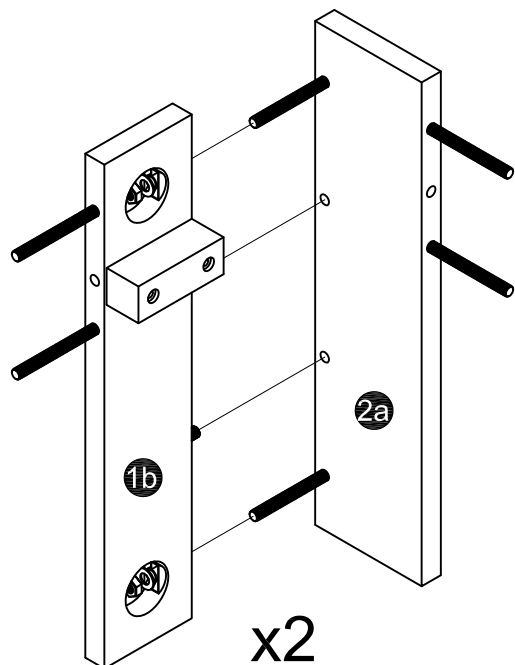
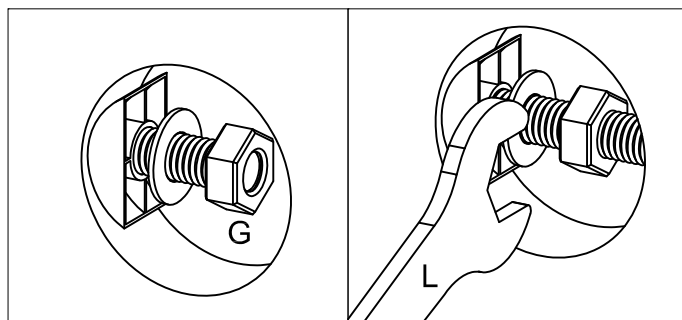
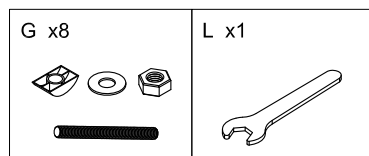
Ruler - Use this ruler to help correctly identify the screws

0 5 10 15 20 25 30 35 40 45 50 55 60 65 70 75 80 85 90 95 100 105 110 115 120 125 130 135 140 145 150 155 160 165 170

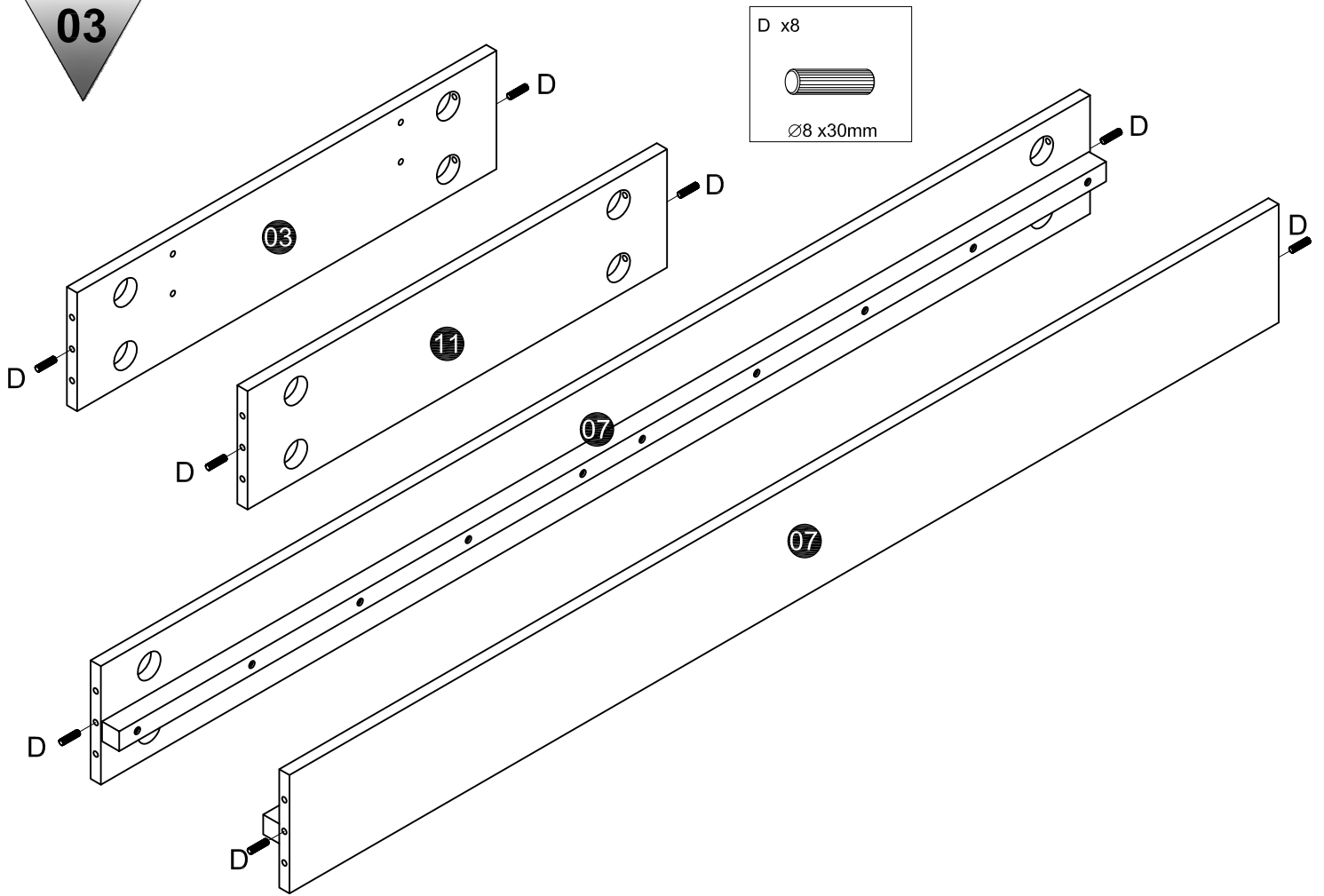
01



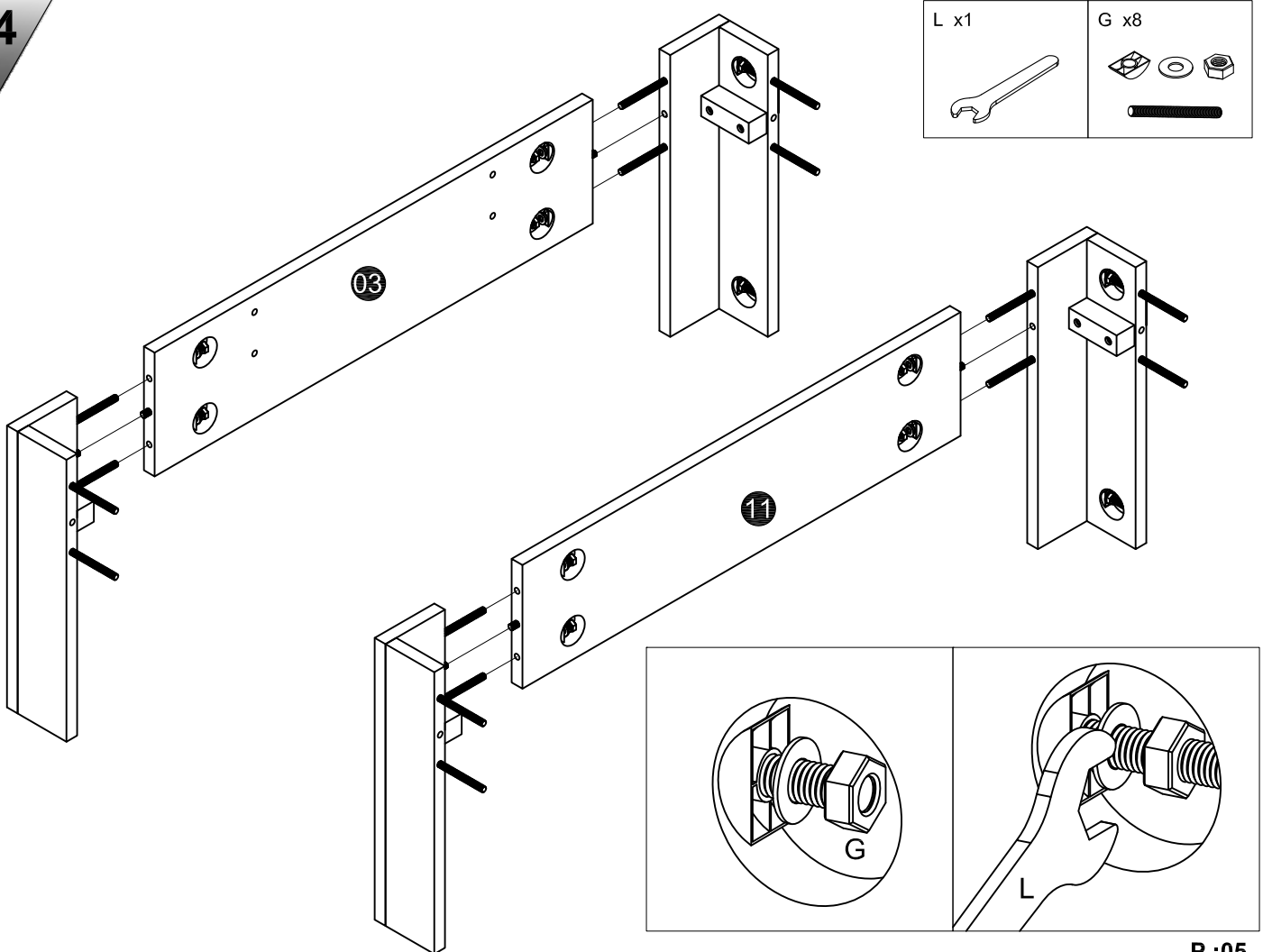
02



03



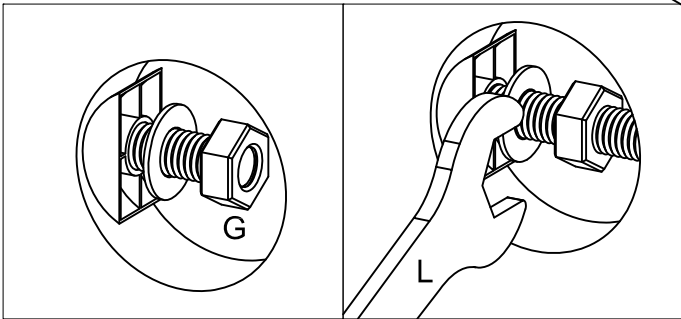
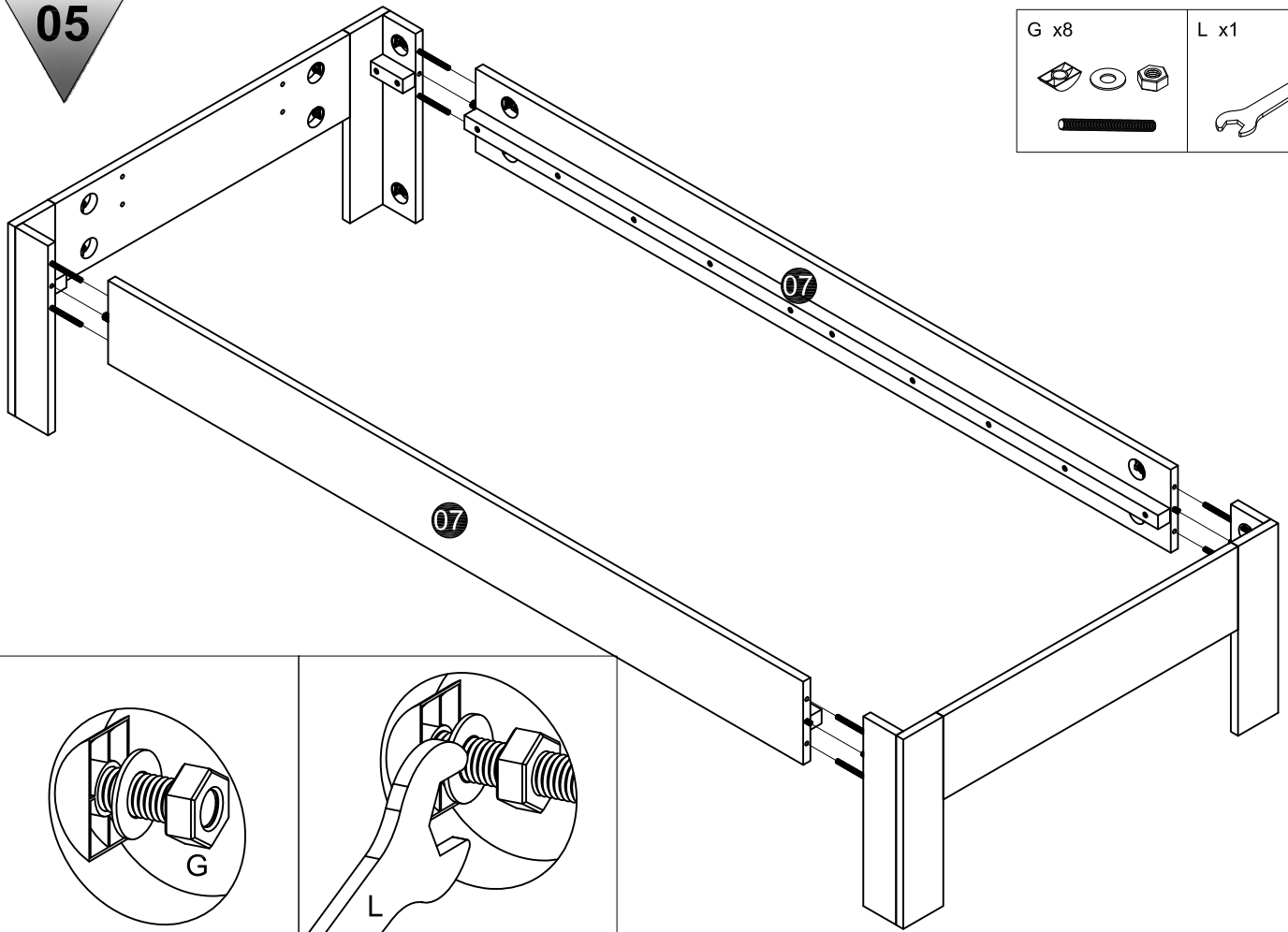
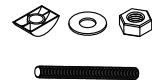
04



05

G x8

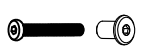
L x1



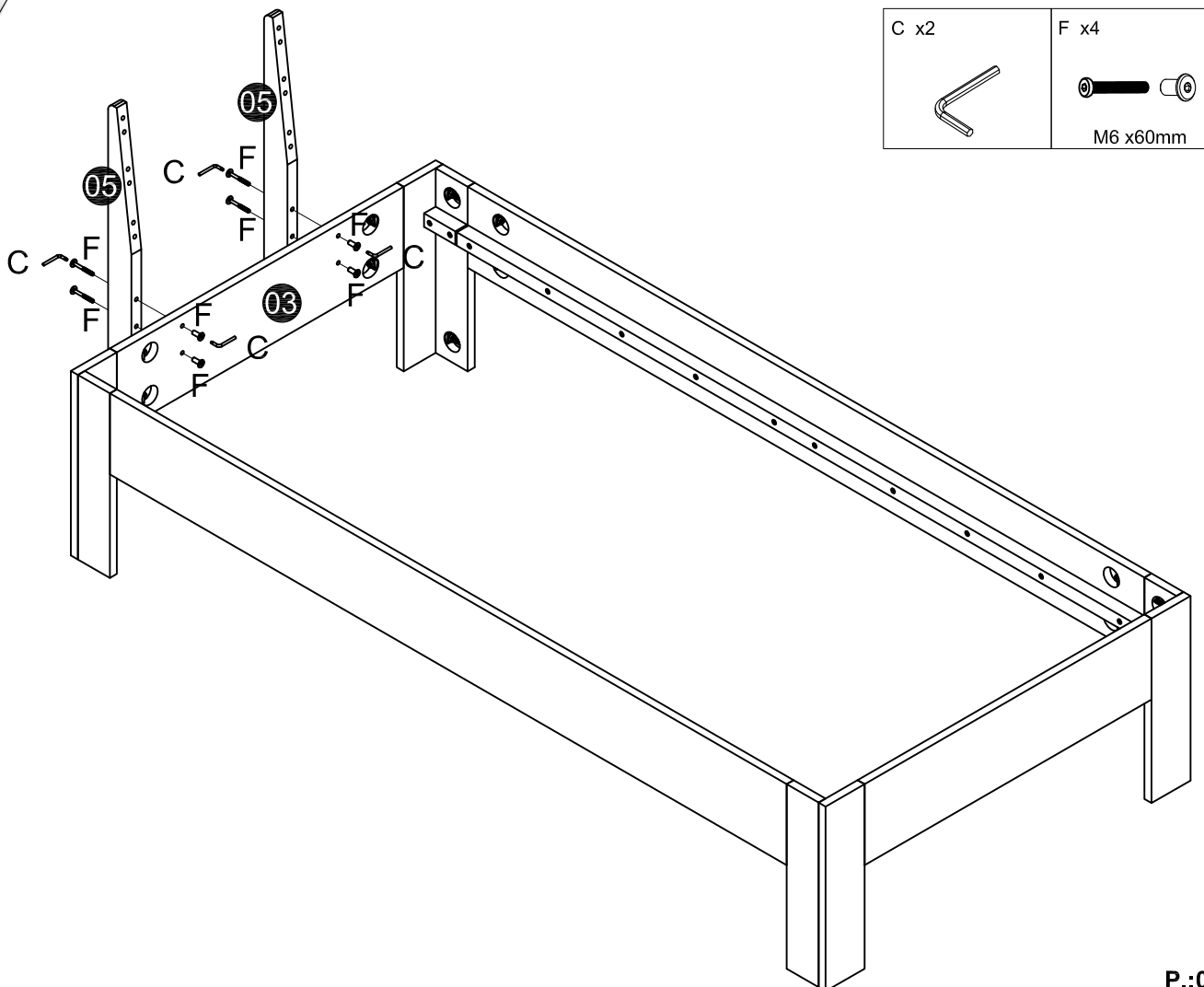
06

C x2

F x4



M6 x60mm



07

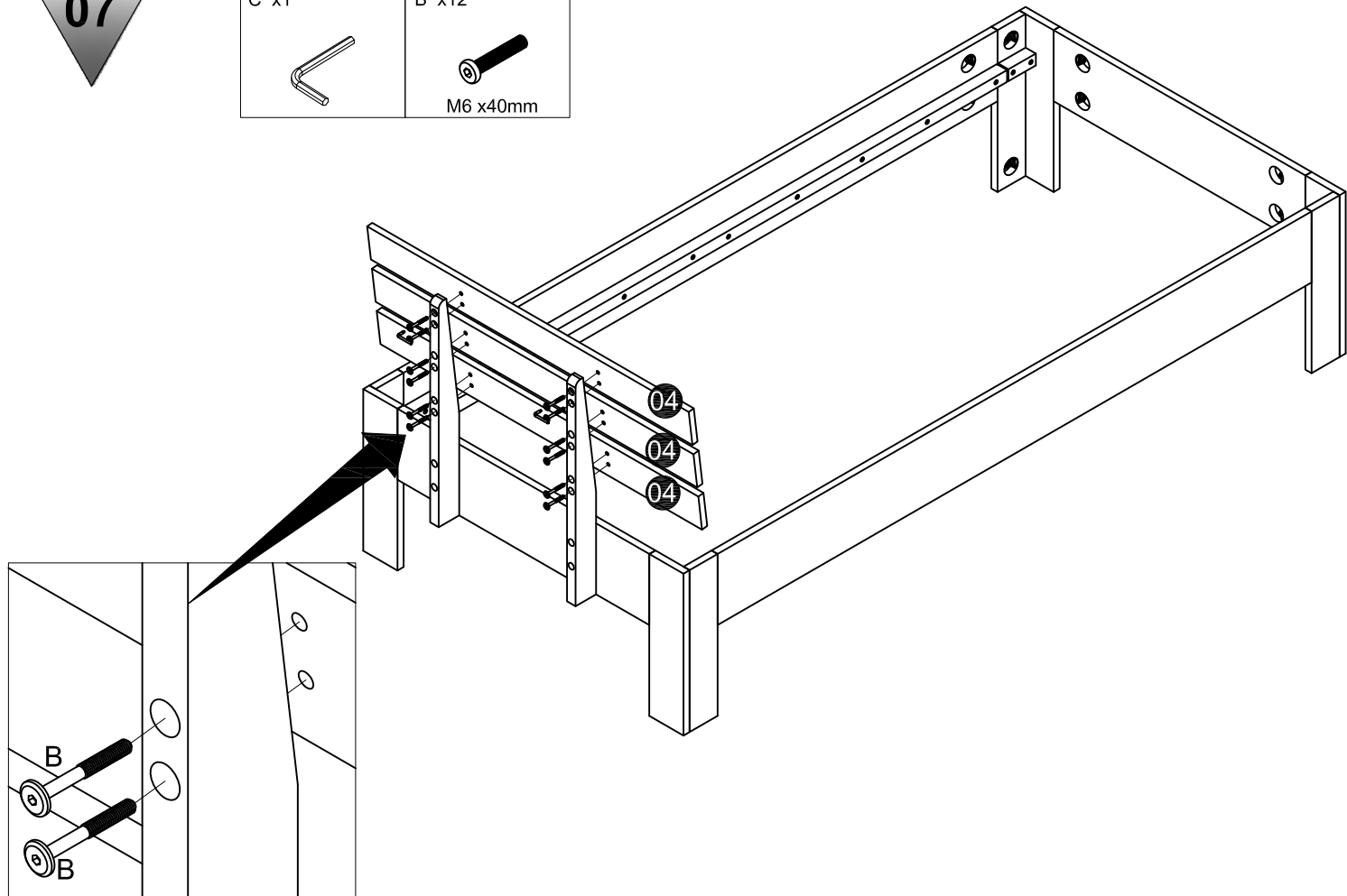
C x1



B x12

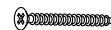


M6 x40mm



08

A x26



Ø4 x30mm

