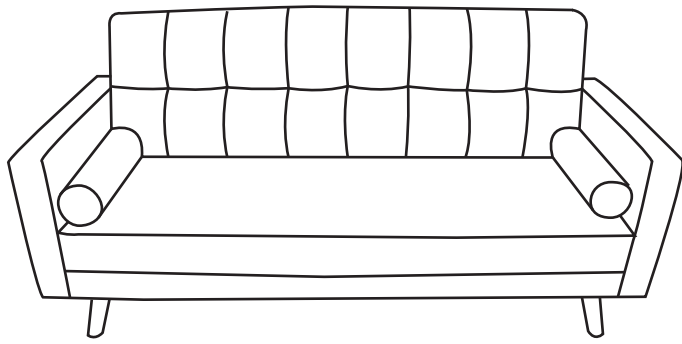


# ASSEMBLY INSTRUCTIONS



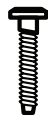
## PARTS AND HARDWARE



Rear Leg  
2X



Front Leg  
2X

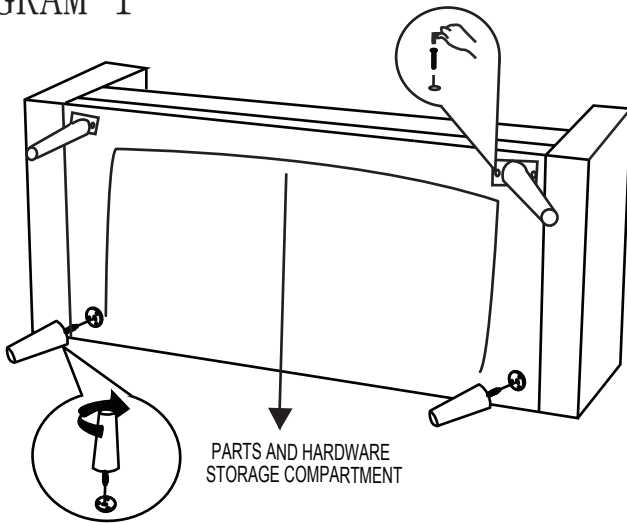


Bolt  
4X

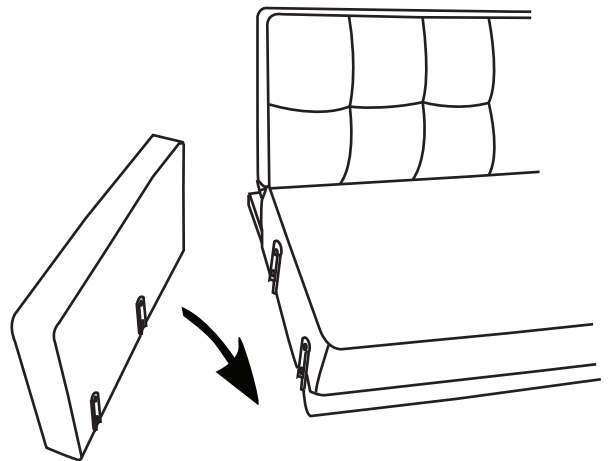


Allen Key  
1X

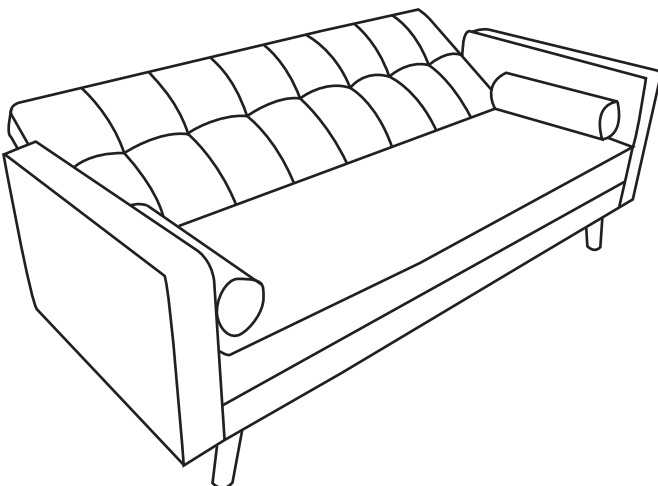
## DIAGRAM 1



## DIAGRAM 2



## DIAGRAM 3



## DIAGRAM 4

