

BEESTON

Single bed frame

**BEFORE YOU START,
HERE IS SOME
HELPFUL ADVICE**

We suggest you spend a short time reading through this leaflet and follow the simple step-by-step assembly instructions.

Do not discard any of the packaging until you have checked that you have all the parts and the pack of fittings.

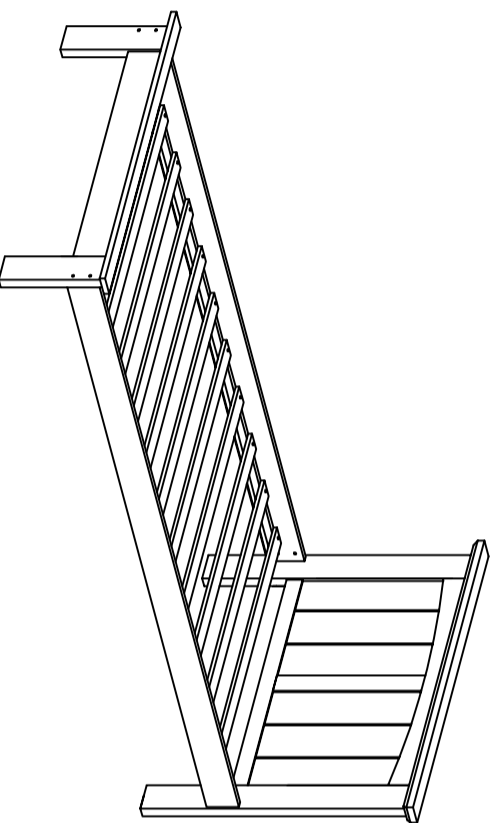
Assemble this product on a flat surface.

Assemble all parts loosely before tightening any bolts.

Discard all extra fittings and keep fittings out of reach of children.

To clean, wipe clean with a damp cloth.

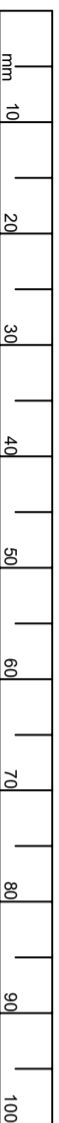
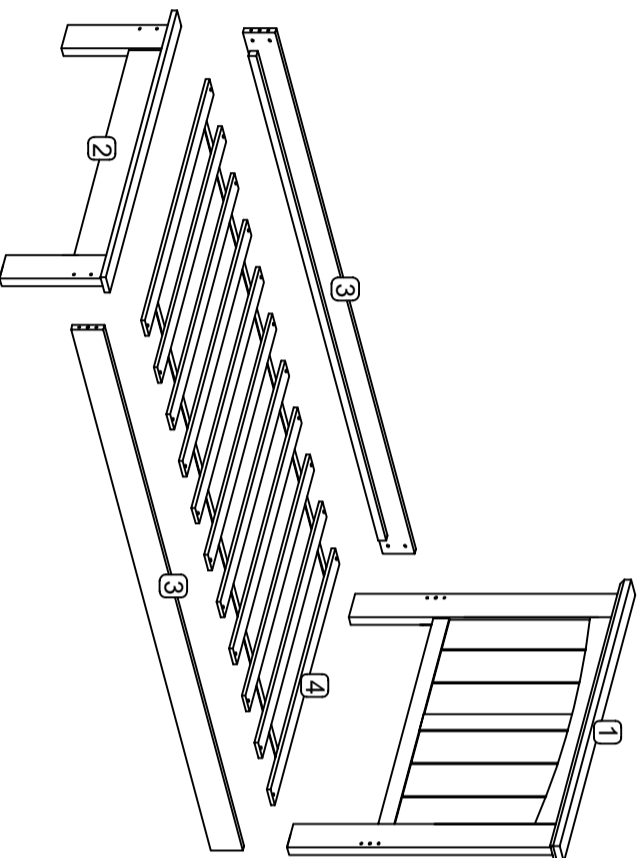
Retain Assembly Instruction for future reference.



PARTS AND FITTINGS LIST

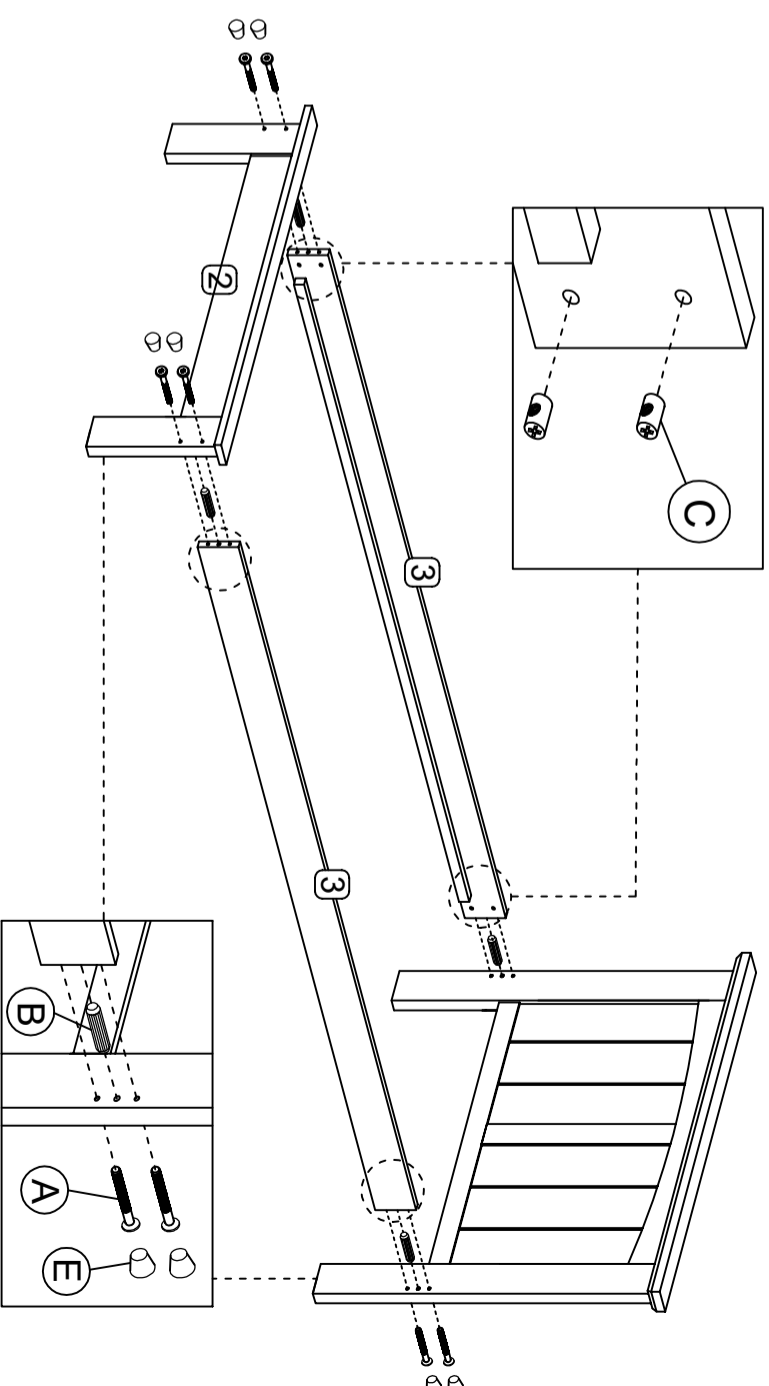
CODE	DESCRIPTION	QTE.
1	HEADBOARD	1
2	FOOTBOARD	1
3	SIDE RAIL	2
4	SLATS	1 SET

CODE	DESCRIPTION	QTE.
A	JCBC M6 X 60mm	8
B	DOWEL M10 X 30mm	4
C	BARREL NUT M6 X15mm	8
D	CSK SCREW M4 X 25mm	22
E	WOOD BUTTON	8
F	ALLENKEY M4	1



STEP 1 Required Fittings : A x 8 pcs B x 4 pcs C x 8 pcs E x 8 pcs

Attach Head & Footboard With Side Rails



STEP 2 Required Fittings : D x 22cs

Attach Slats To Bed Frame.

- Useful Tips :
- Carefully place those slats onto the bed frame to prevent scratches.
 - Drill in the first and last piece of slats in order to hold the position before drilling the rest of the slats.

