

ASSEMBLY INSTRUCTIONS

BEESTON

Double bed frame
**BEFORE YOU START,
 HERE IS SOME
 HELPFUL ADVICE**

We suggest you spend a short time reading through this leaflet and follow the simple step-by-step assembly instructions.

Do not discard any of the packaging until you have checked that you have all the parts and the pack of fittings.

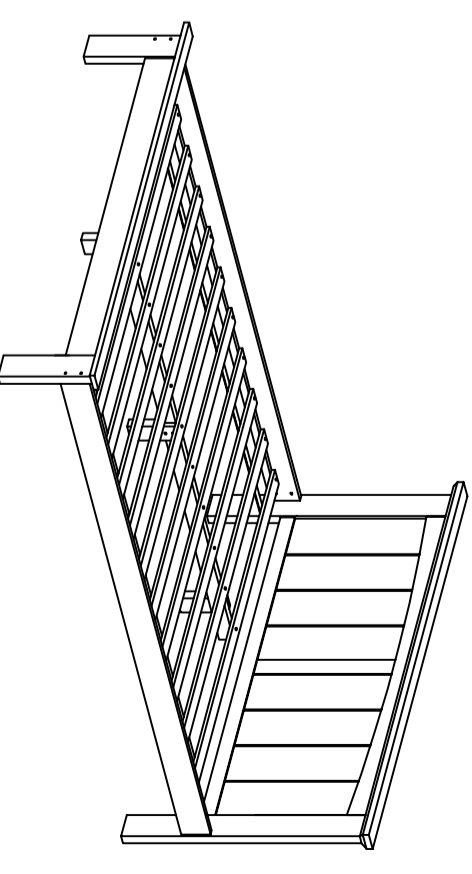
Assemble this product on a flat surface.

Assemble all parts loosely before tightening any bolts.

Discard all extra fittings and keep fittings out of reach of children.

To clean, wipe clean with a damp cloth.

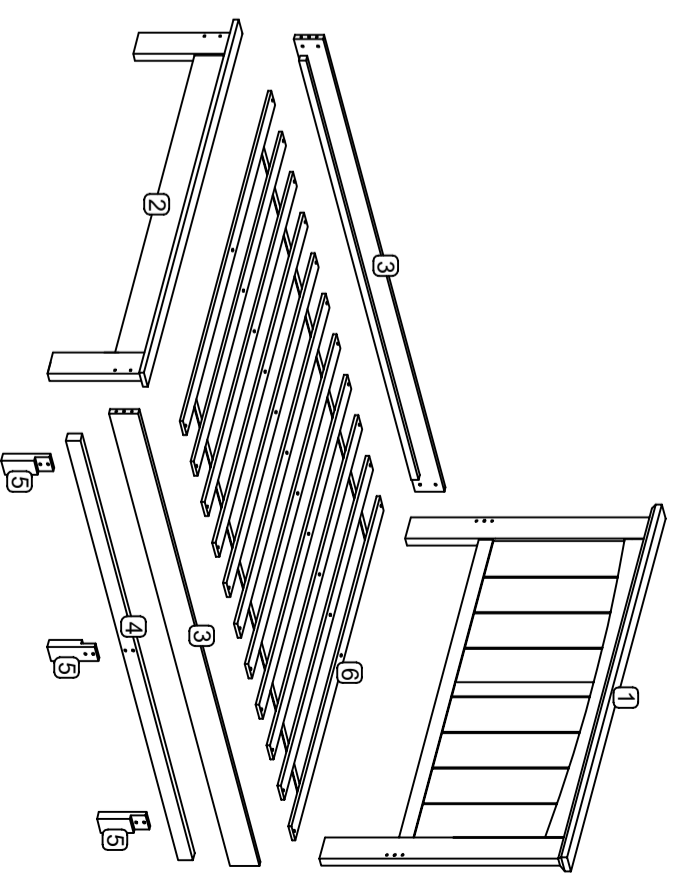
Retain Assembly Instruction for future reference.



PARTS AND FITTINGS LIST

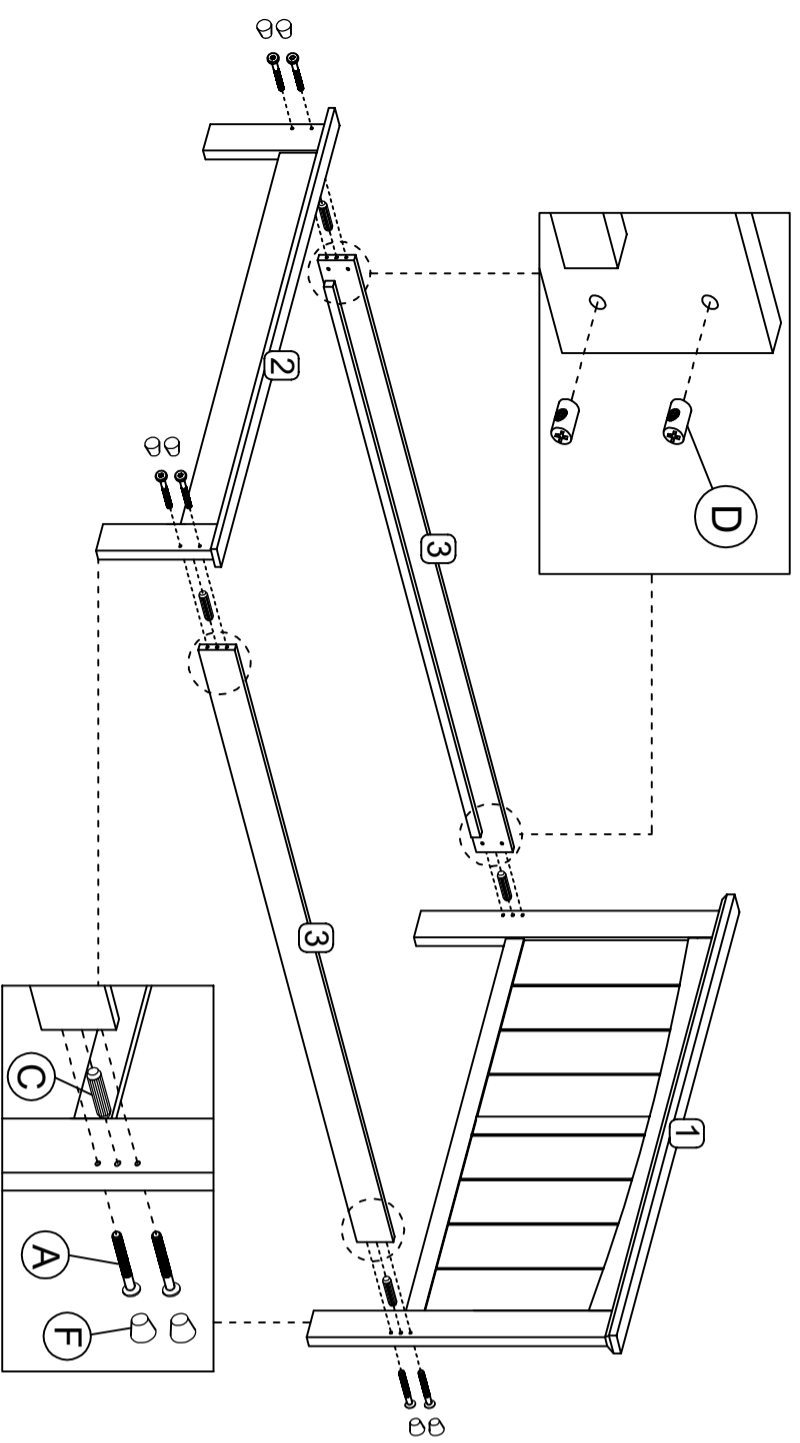
CODE	DESCRIPTION	QTE.
1	HEADBOARD	1
2	FOOTBOARD	1
3	SIDE RAIL	2
4	CENTER SUPPORT	1
5	SUPPORT LEG	3
6	SLATS	1 SET

CODE	DESCRIPTION	QTE.
A	JCBC M6 X 60mm	8
B	JCBC M6 X 30mm	6
C	DOWEL M10 X 30mm	4
D	BARREL NUT M6 X15mm	8
E	CSK SCREW M4 X 25mm	33
F	WOOD BUTTON	8
G	ALLEN KEY M4	1



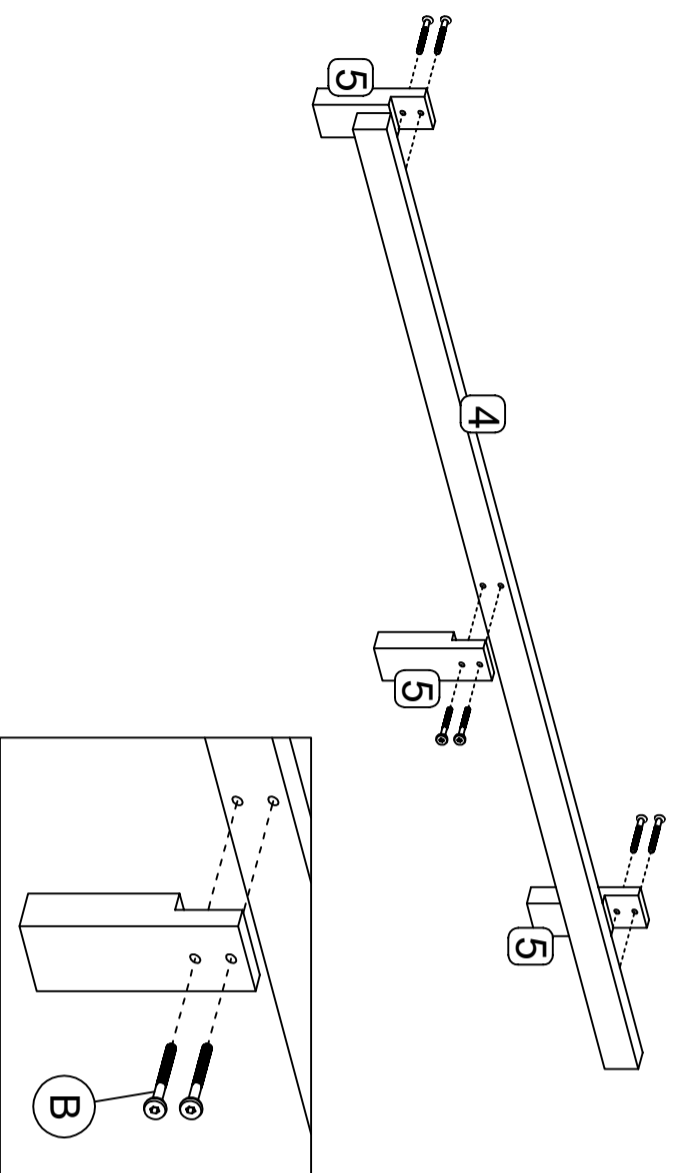
STEP 1 Required Fittings : A x 8 pcs C x 4 pcs D x 8 pcs F x 8 pcs

Attach Head & Footboard With Side Rails



STEP 2 Required Fittings : B x 6 pcs

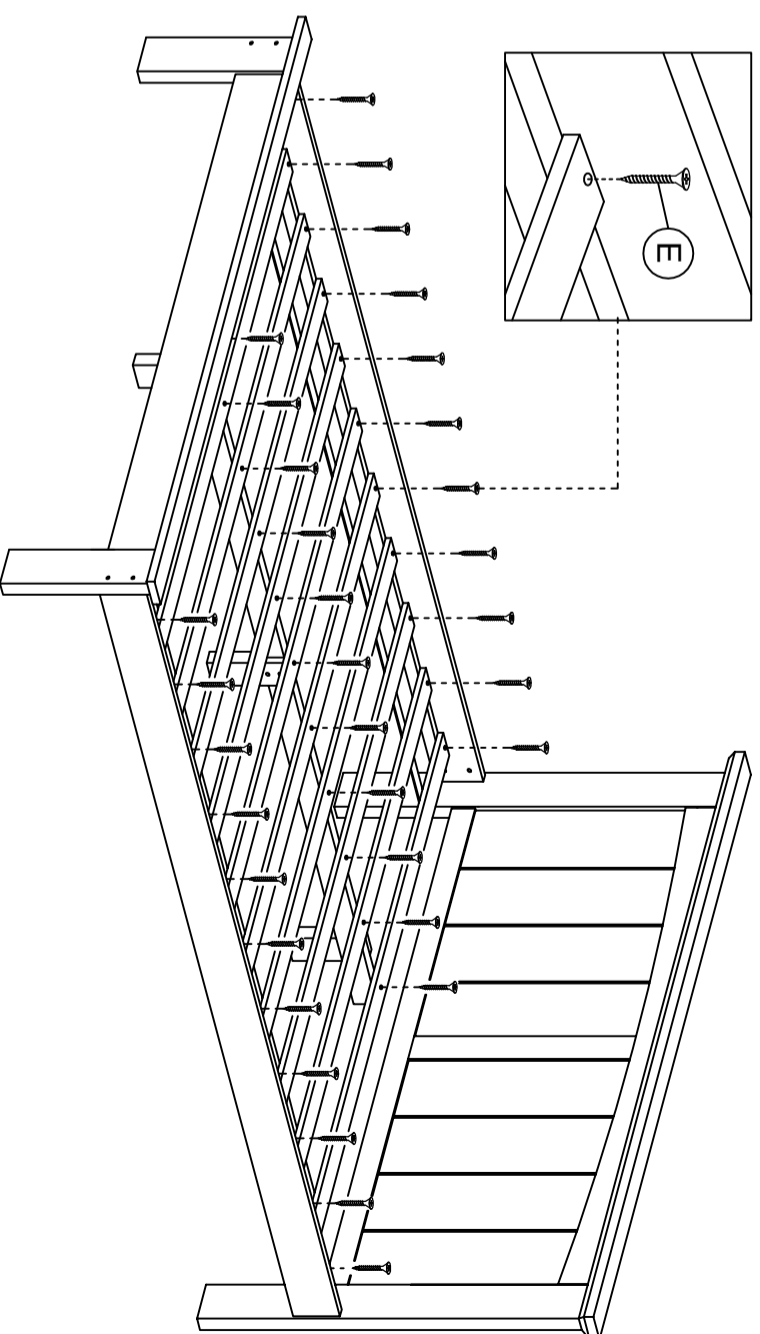
Assemble support legs with center support



STEP 3 Required Fittings : E x 33 pcs

Attach Slats To Bed Frame.

- Useful Tips :
1. Carefully place those slats onto the bed frame to prevent scratches.
 2. Slot in the assembled center support from underneath the bed.
 3. Drill in the first and last piece of slats in order to hold the position before drilling the rest of the slats.



Completed

