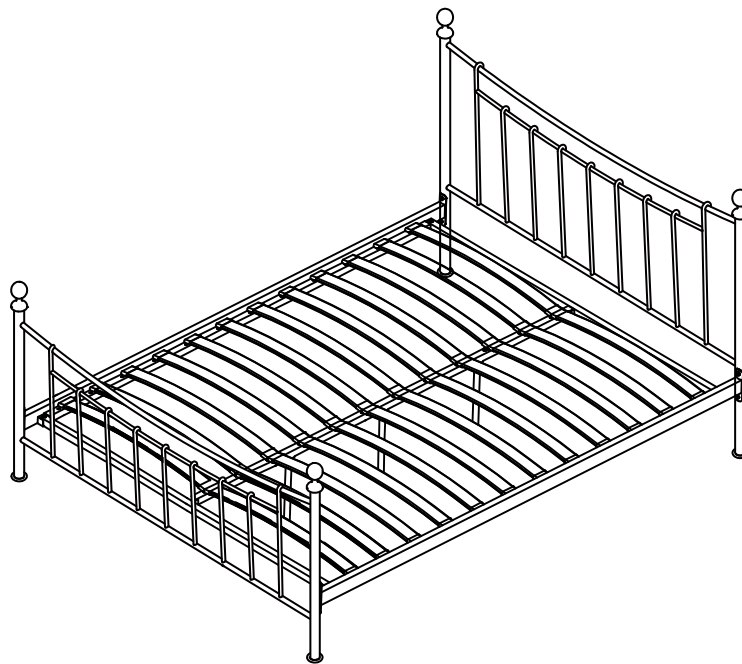


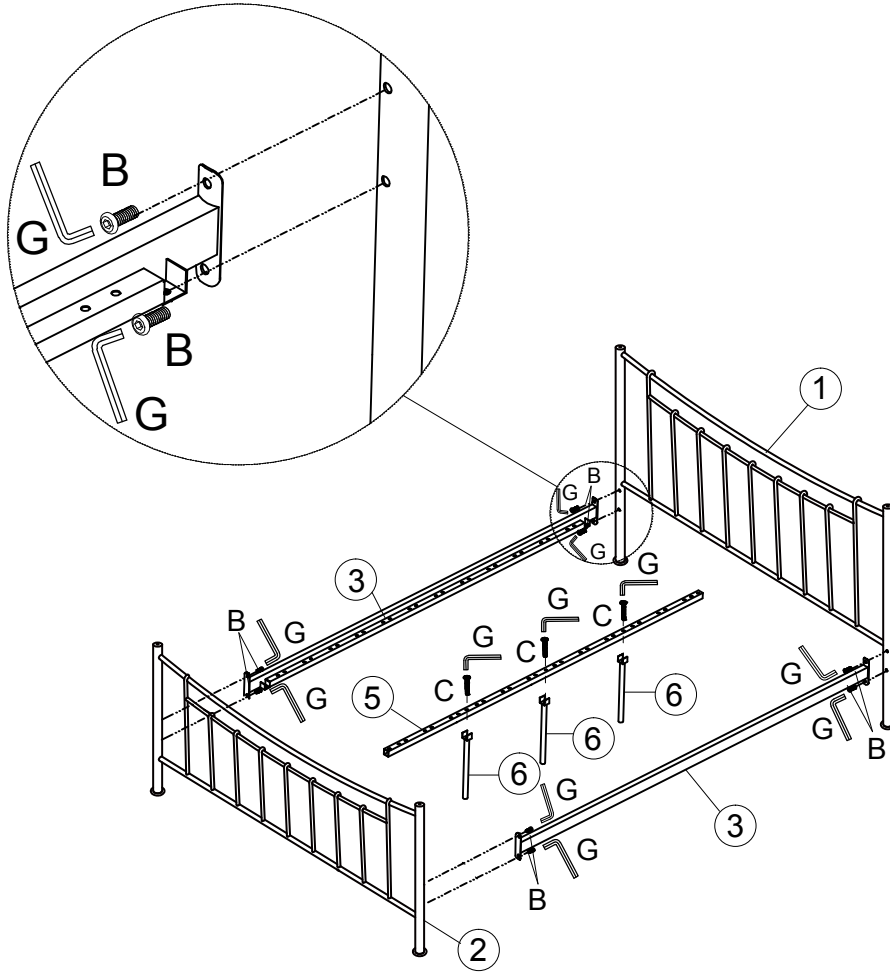
ASSEMBLY INSTRUCTIONS

MODEL: ASCOT BED (DOUBLE/KING)

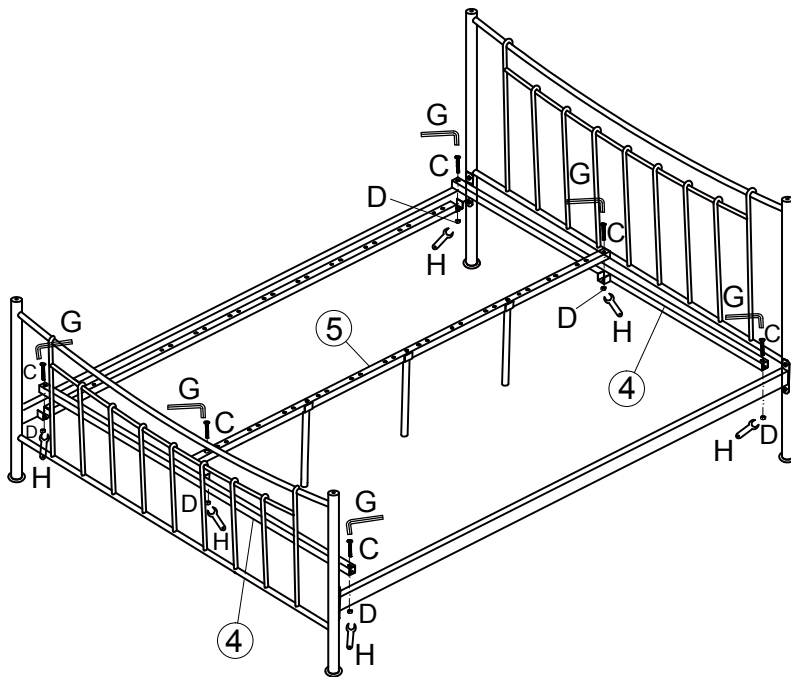


<p>1. Headboard 1pc</p>	<p>2. Footboard 1pc</p>	<p>3. Siderails 2pcs</p>	<p>4. Cross bar 2pcs</p>
<p>5. Centre bar 1pc</p>	<p>6. Support leg 3pcs</p>	<p>7. Slat 24pcs</p>	<p>A. Balls 4pcs</p>
<p>B. M8 x 20mm 8pcs</p>	<p>C. M6 x 35mm 9pcs</p>	<p>D. Nut 6pcs</p>	<p>E. Single plastic cap 24pcs</p>
<p>F. Double plastic cap 12pcs</p>	<p>G. M4 Allen Key 2pcs</p>	<p>H. Spanner 1pc</p>	

STEP 1



STEP 2



STEP 3

