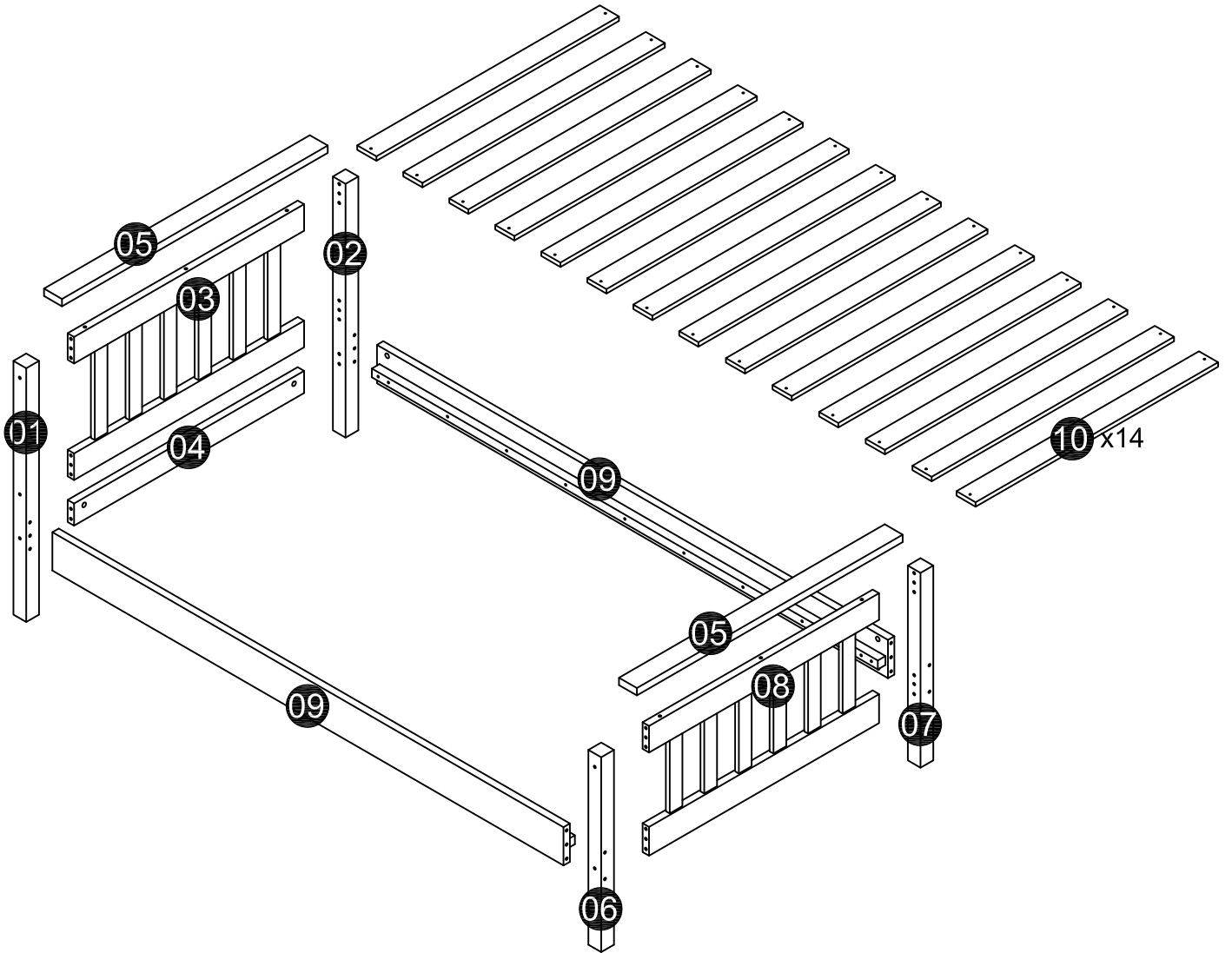
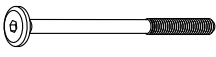

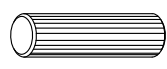
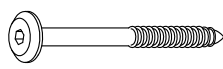

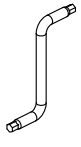





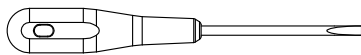
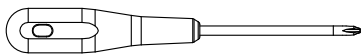
EXPLODED VIEW



# HARDWARE

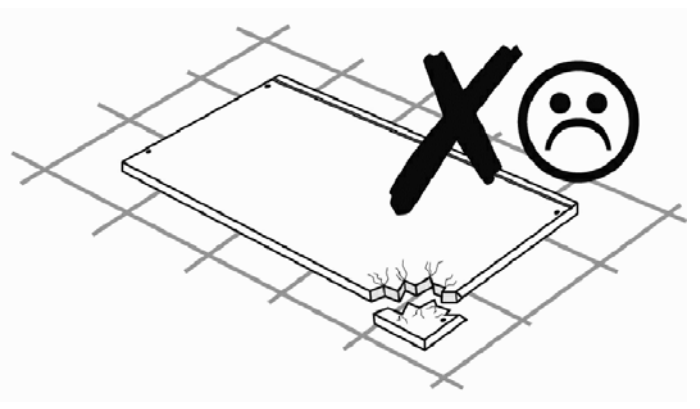
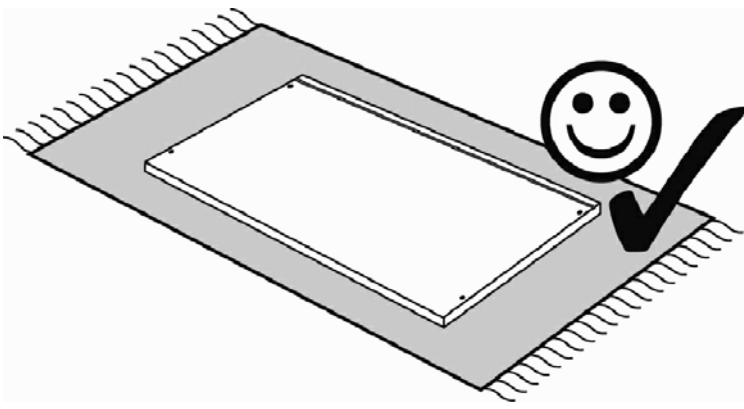
<p>A x12</p>  <p>M6 x100mm</p>	<p>B x12</p> 	<p>C x22</p>  <p>Ø8 x30mm</p>	<p>D x6</p>  <p>Ø6 x90mm</p>	<p>E x6</p>  <p>M6 x70mm</p>
<p>F x1</p> 	<p>G x28</p>  <p>Ø4 x30mm</p>			

# TOOLS




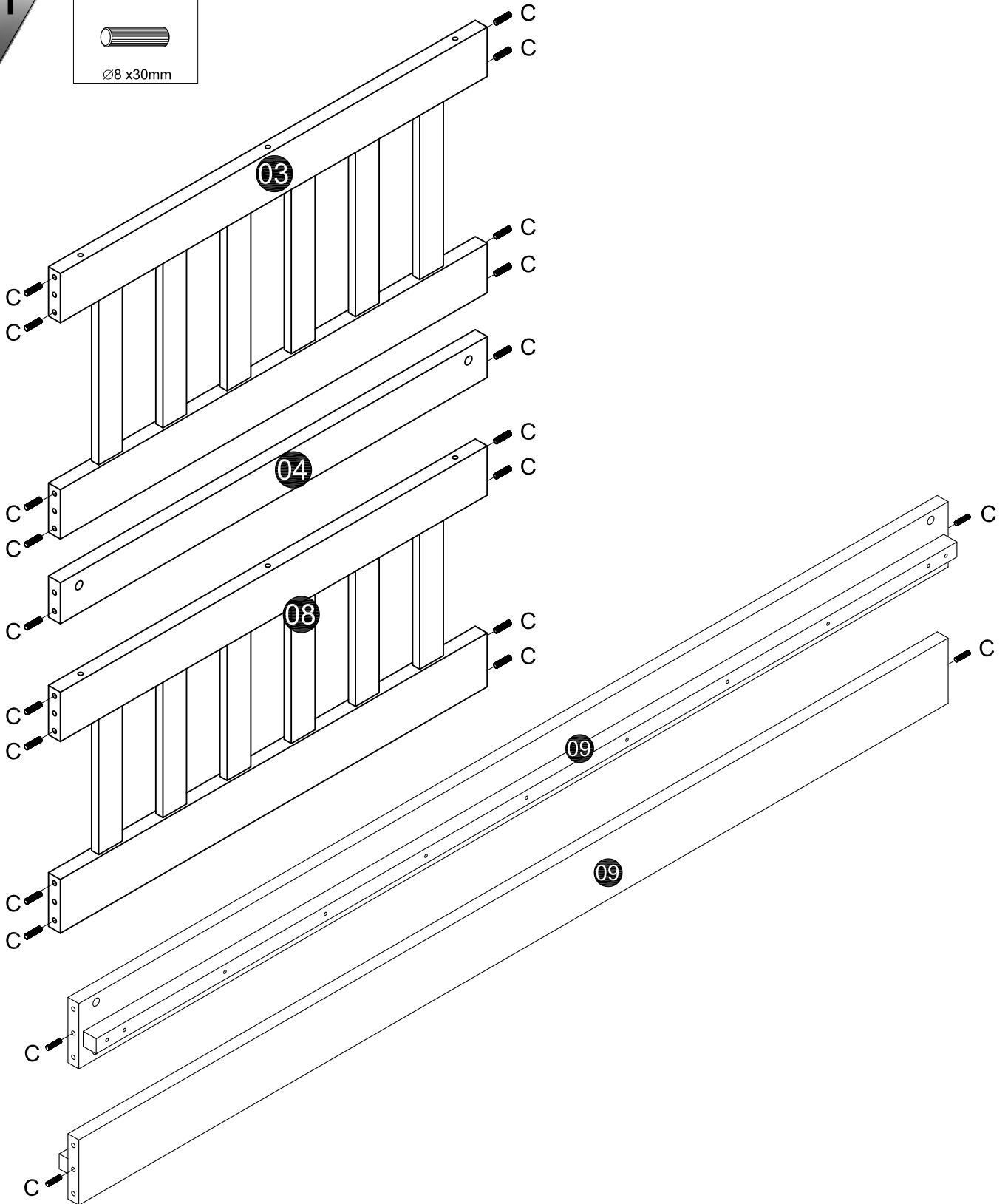
**Ruler** - Use this ruler to help correctly identify the screws

0 5 10 15 20 25 30 35 40 45 50 55 60 65 70 75 80 85 90 95 100 105 110 115 120 125 130 135 140 145 150 155 160 165 170

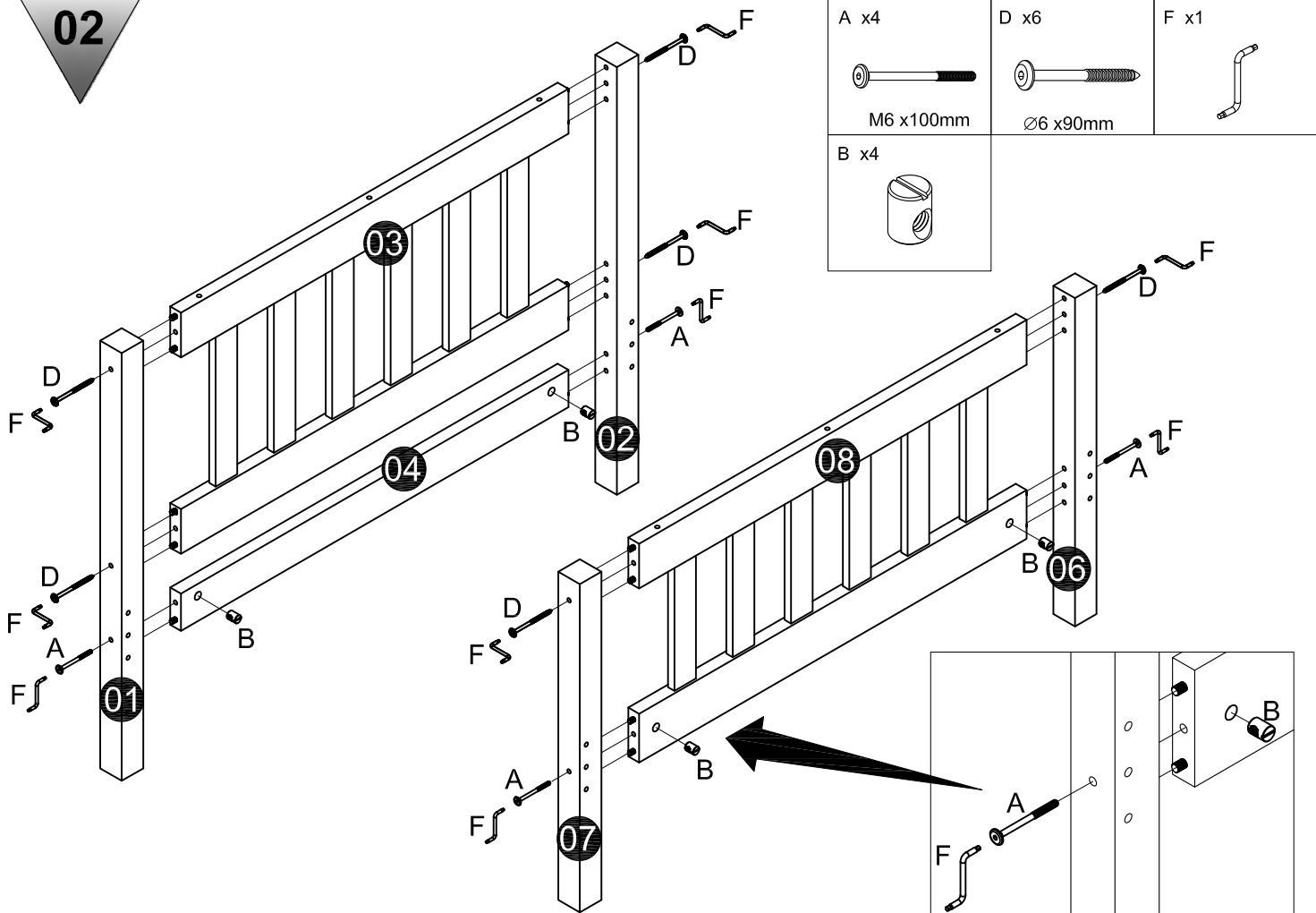


01

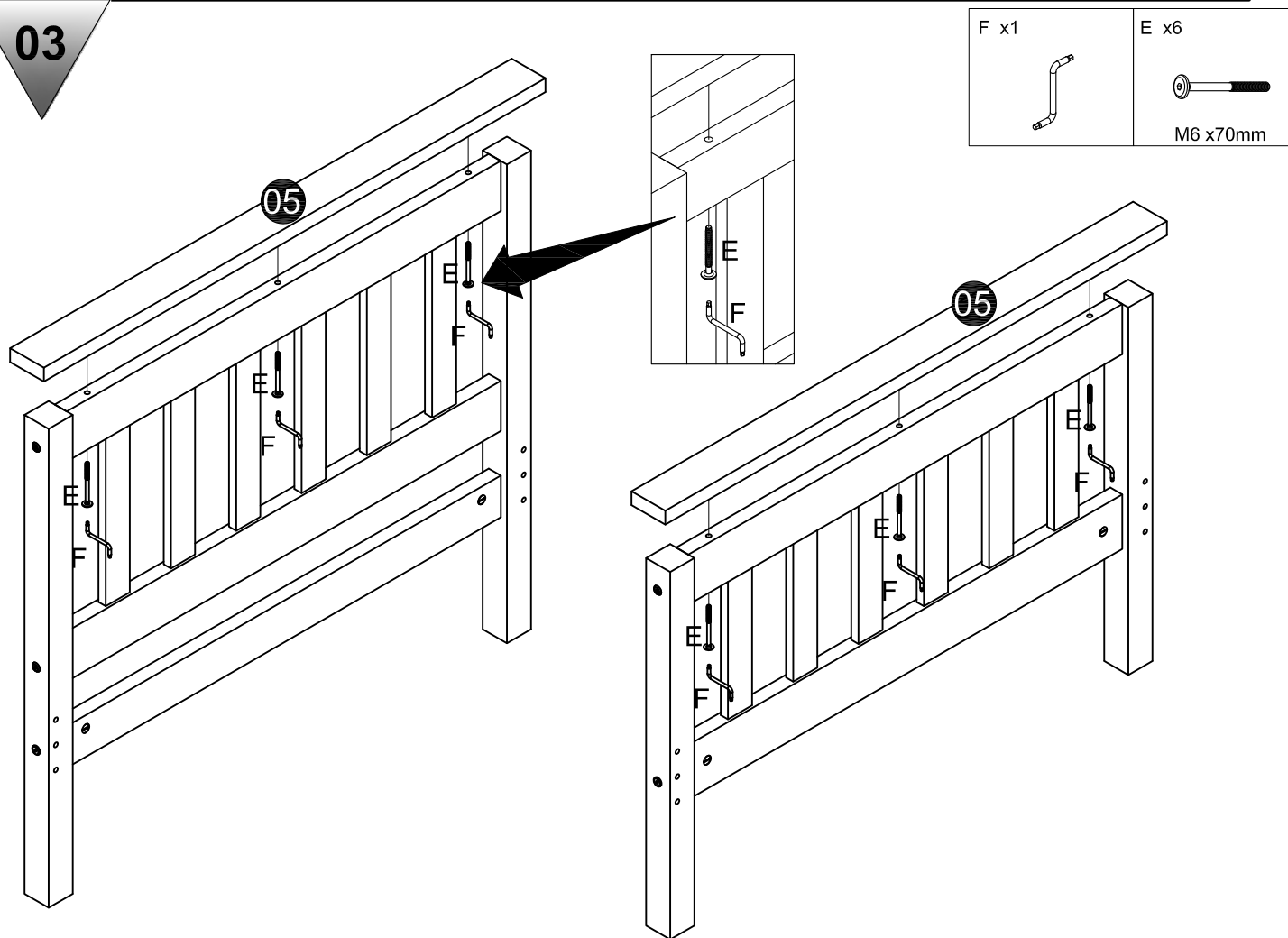
C x22  
  
Ø8 x30mm




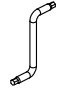

02

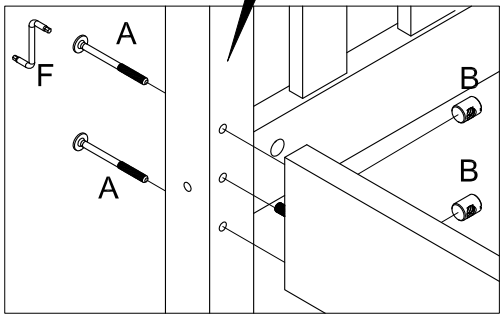
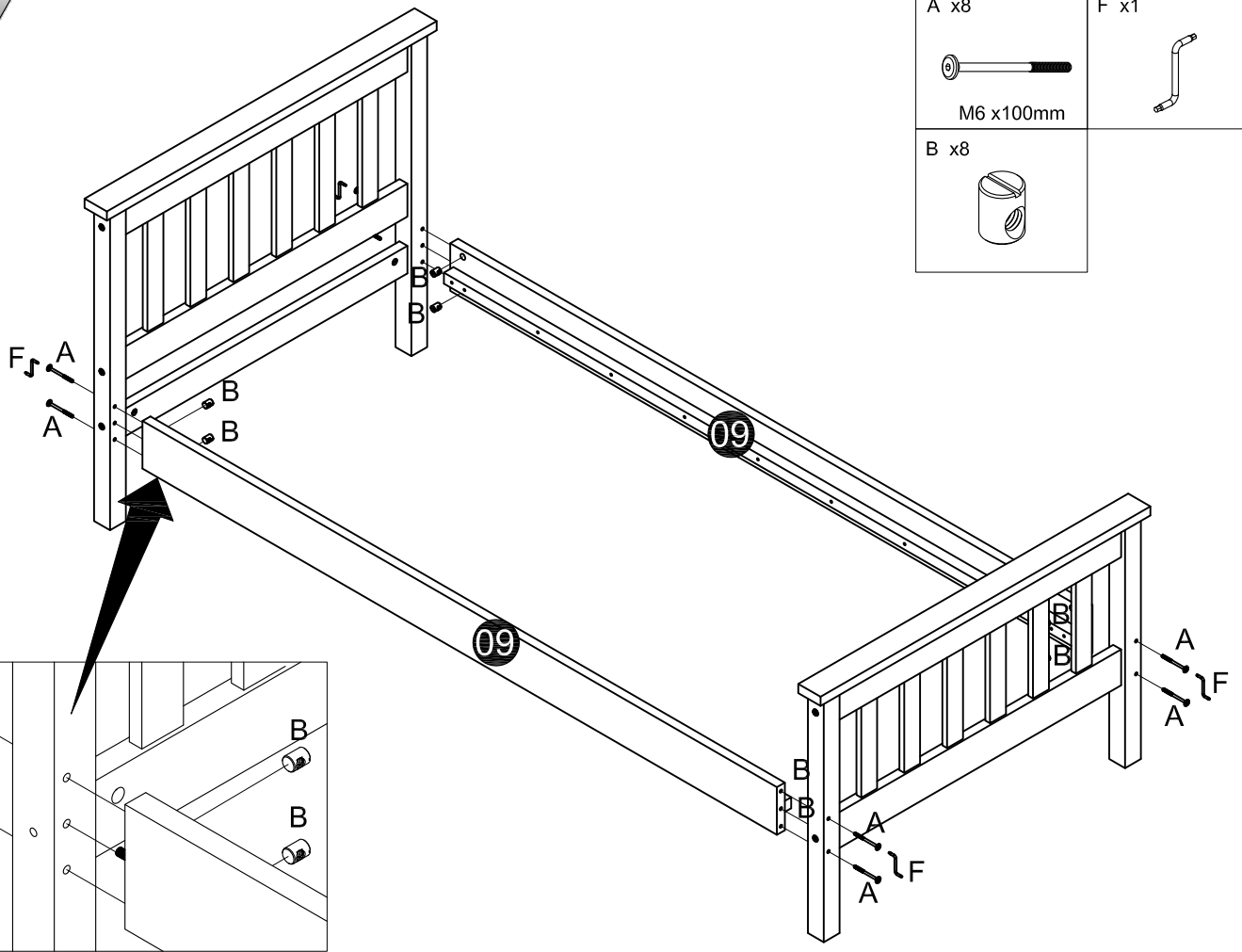


03




04

A x8  M6 x100mm	F x1 
B x8 	



05

G x28  Ø4 x30mm
--

