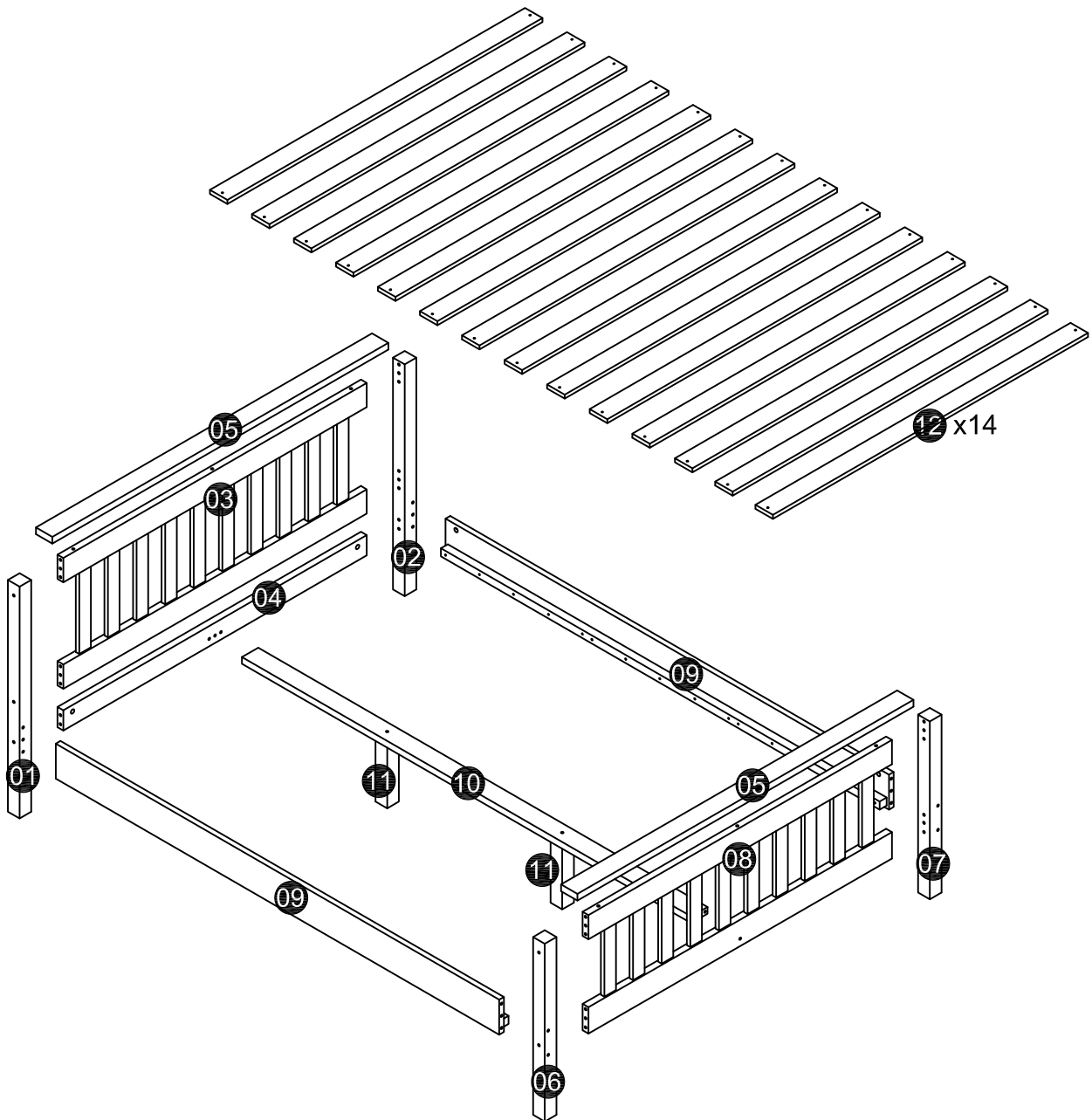
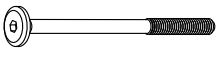

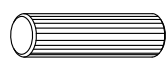
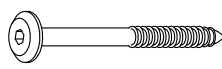

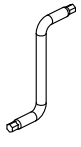




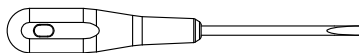
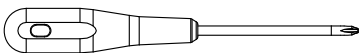
EXPLODED VIEW



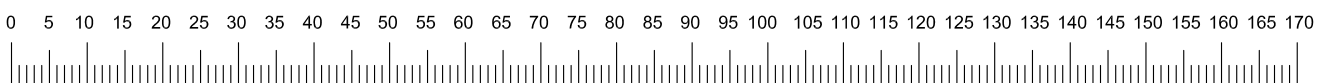
HARDWARE

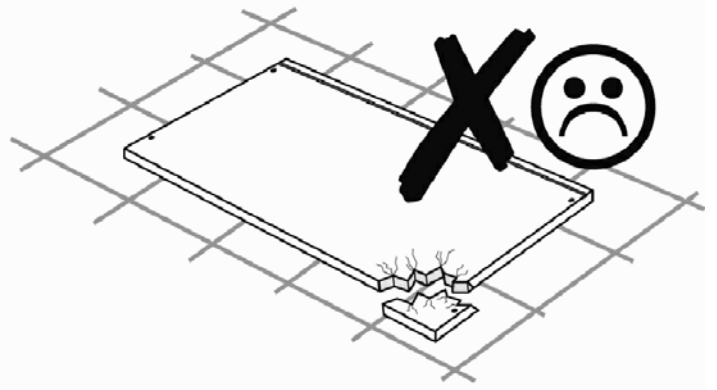
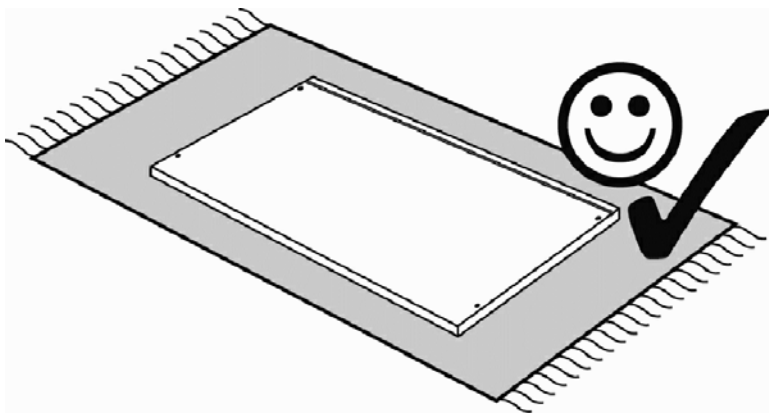
<p>A x12</p>  <p>M6 x100mm</p>	<p>B x12</p> 	<p>C x26</p>  <p>Ø8 x30mm</p>	<p>D x8</p>  <p>Ø6 x90mm</p>	<p>E x6</p>  <p>M6 x70mm</p>
<p>F x1</p> 	<p>G x28</p>  <p>Ø4 x30mm</p>	<p>H x2</p>  <p>Ø7 x60mm</p>		

TOOLS



Ruler - Use this ruler to help correctly identify the screws



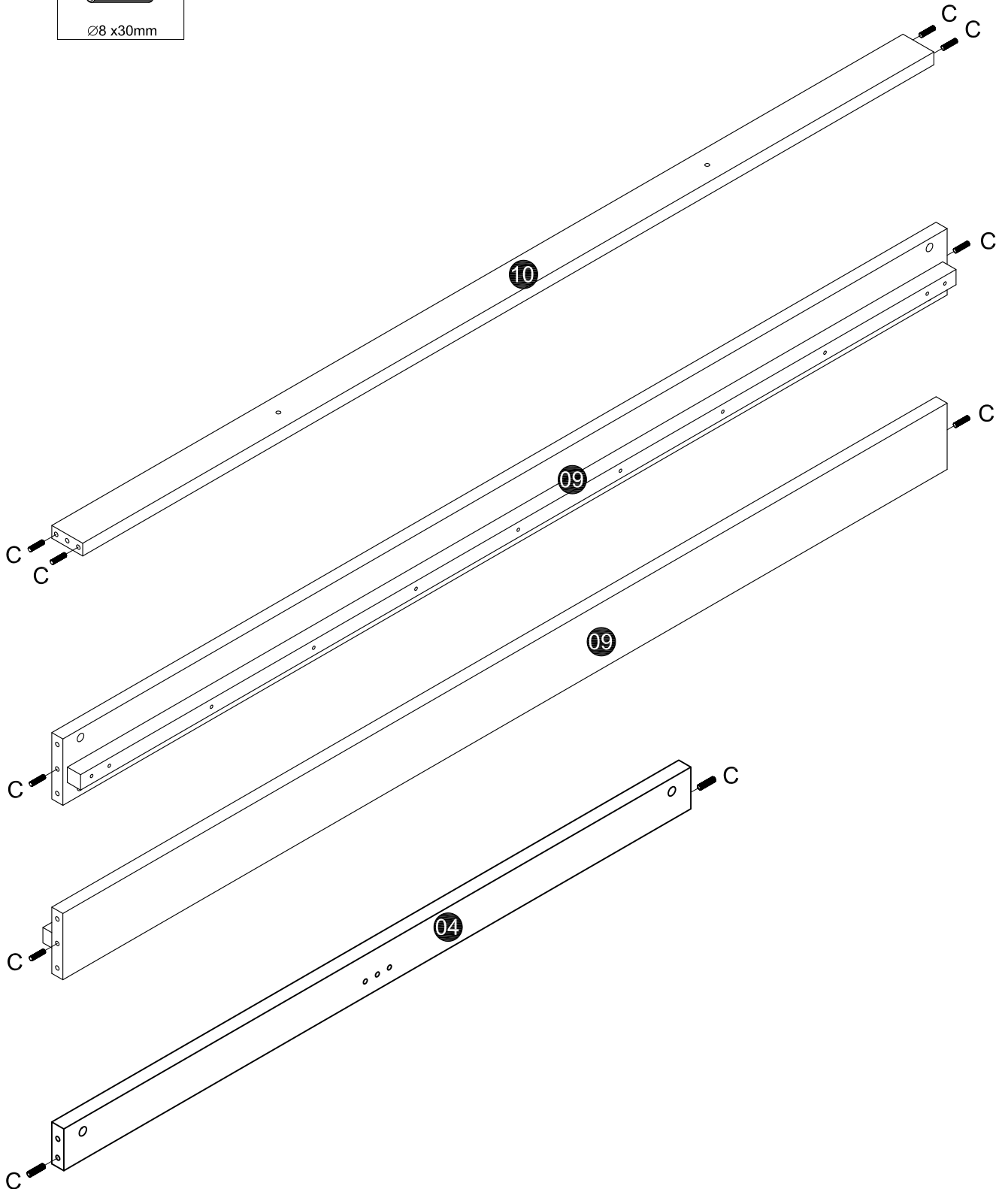


01

C x10



Ø8 x30mm

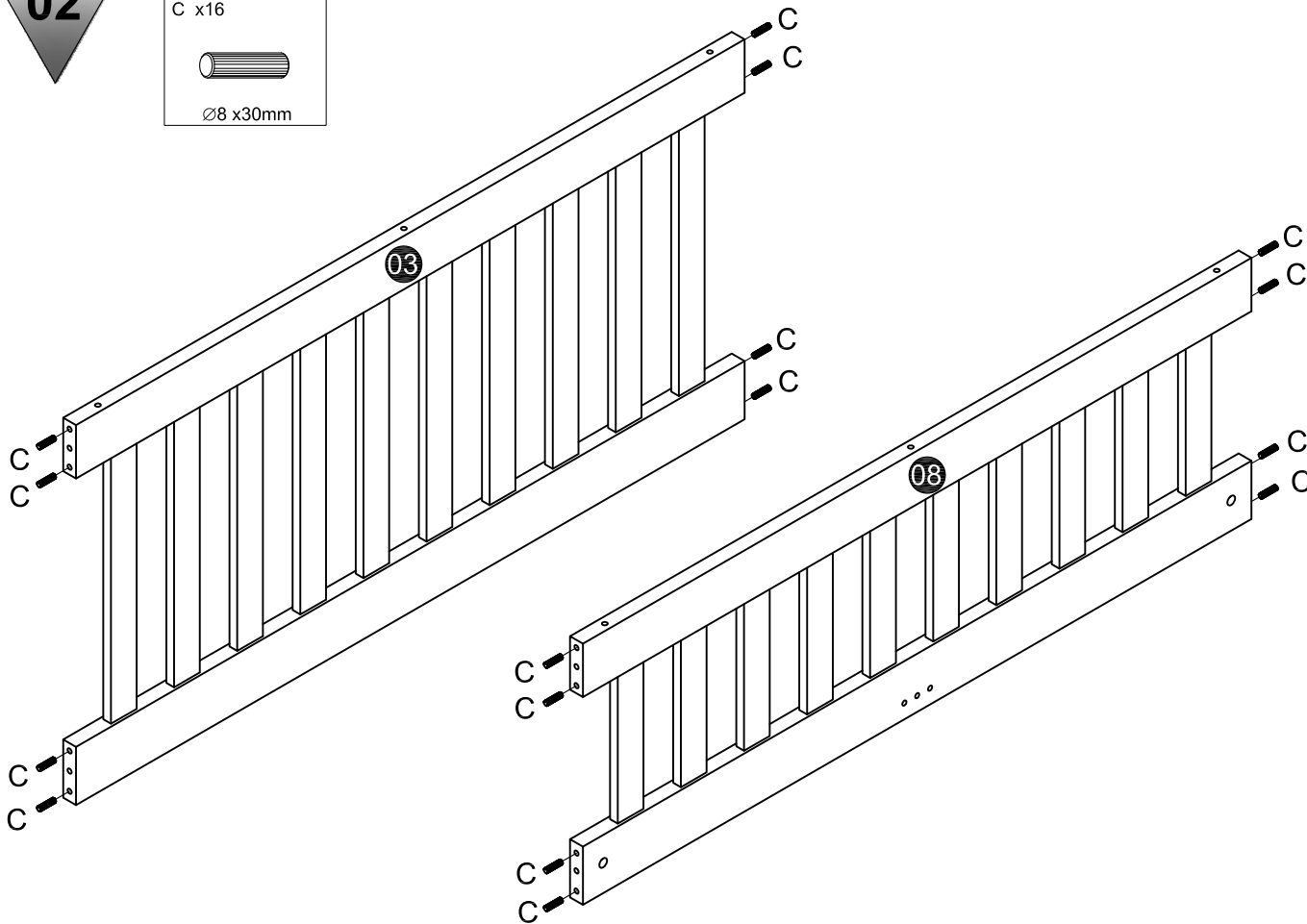


02

C x16

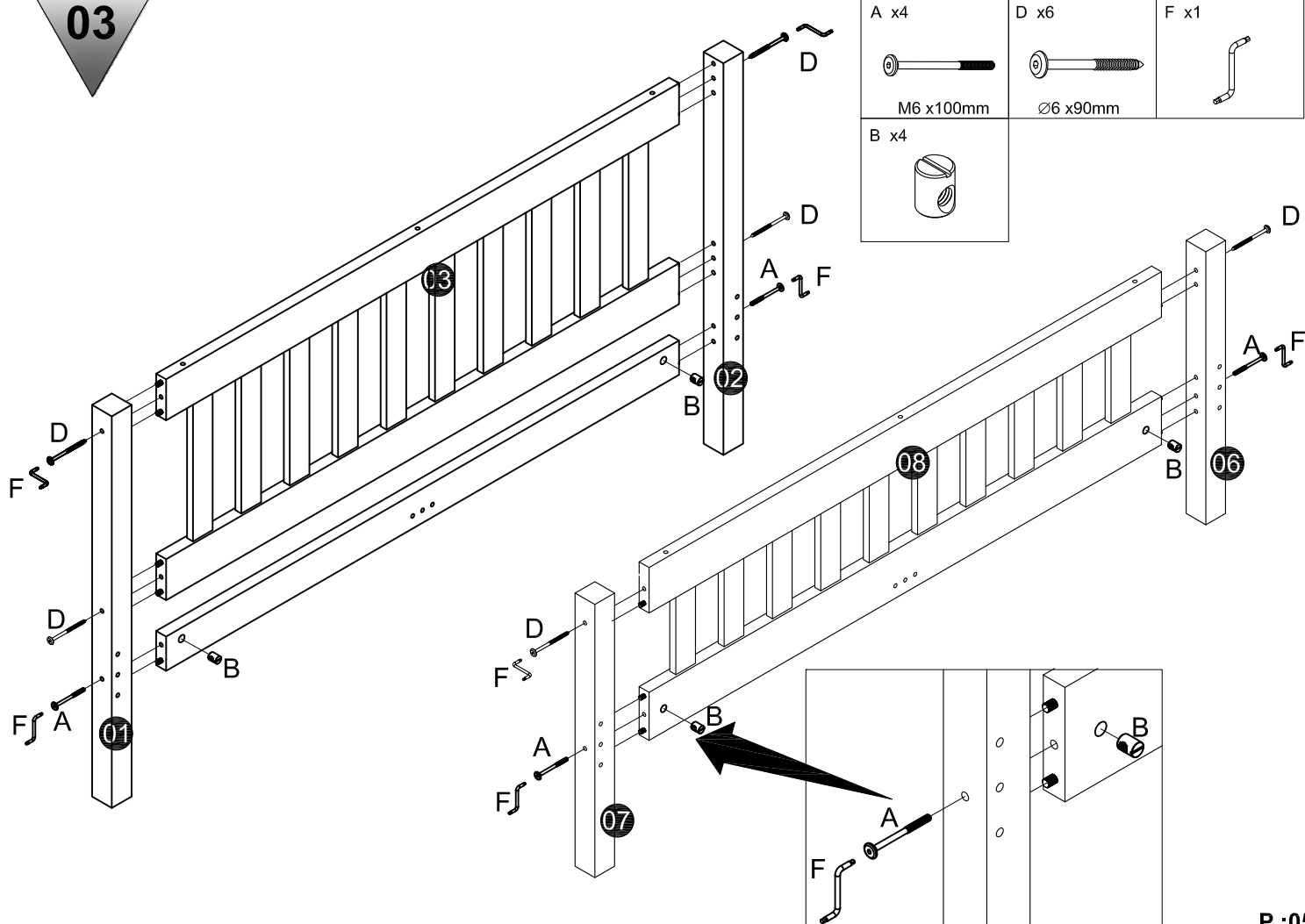


Ø8 x30mm



03

A x4 M6 x100mm	D x6 Ø6 x90mm	F x1
B x4 		



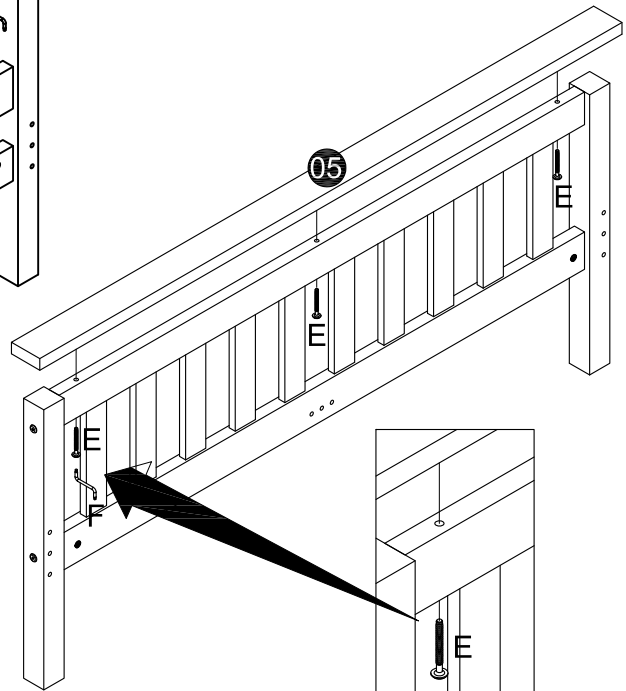
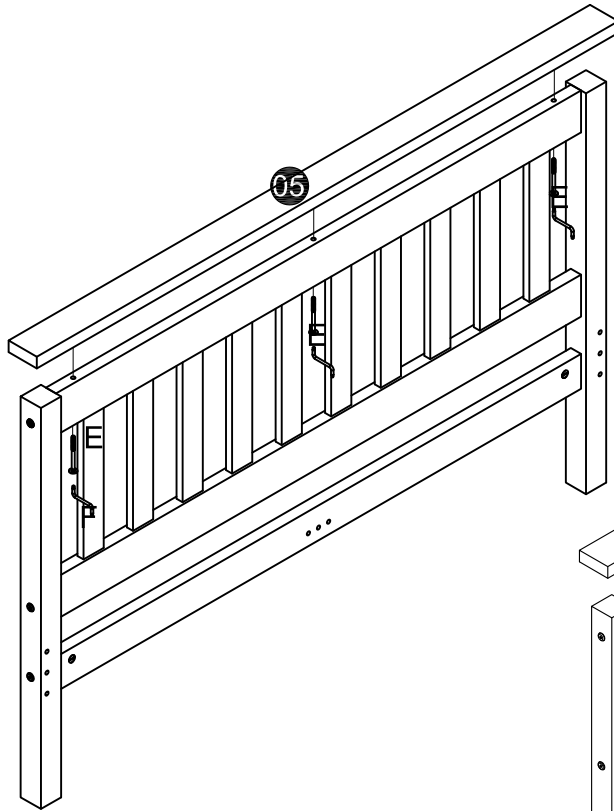
04

E x6

F x1



M6 x70mm



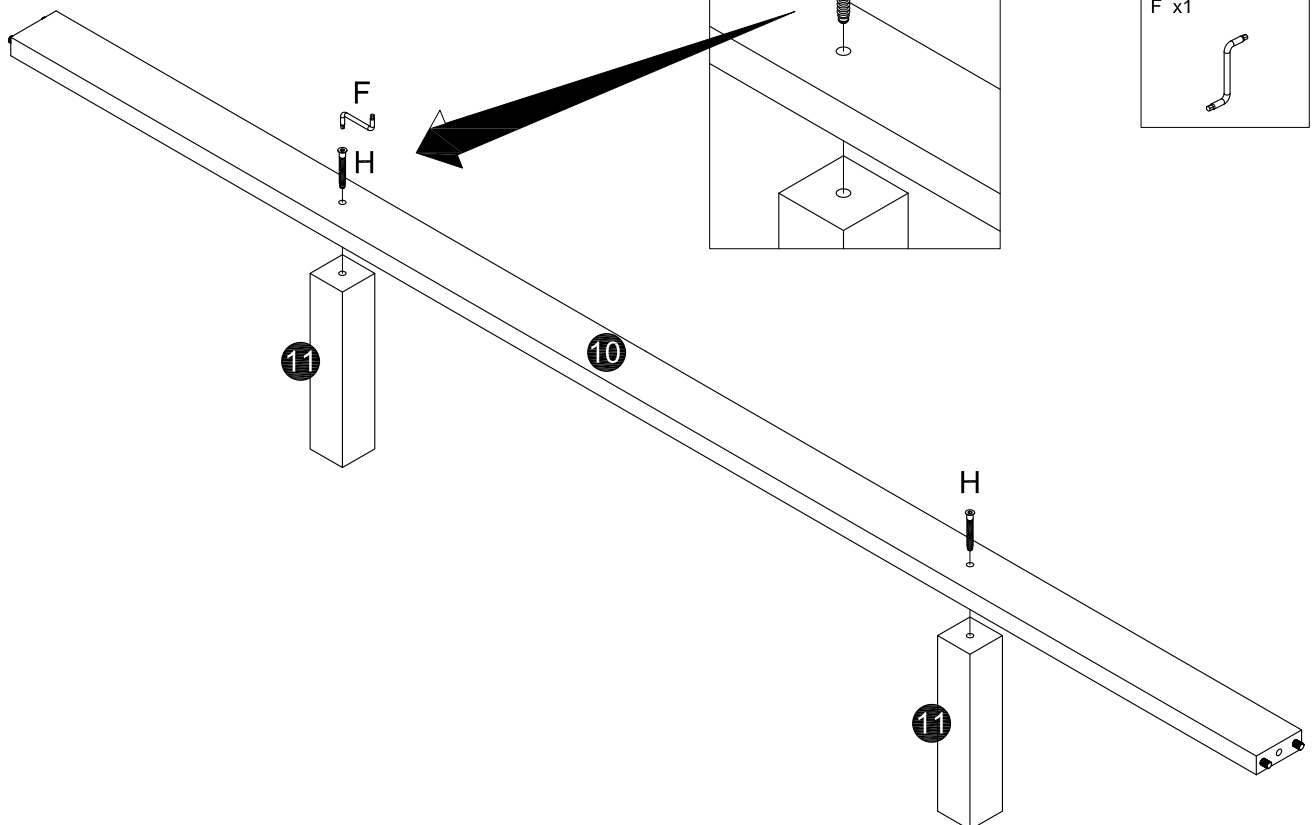
05

H x2

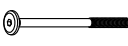





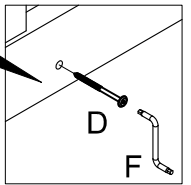
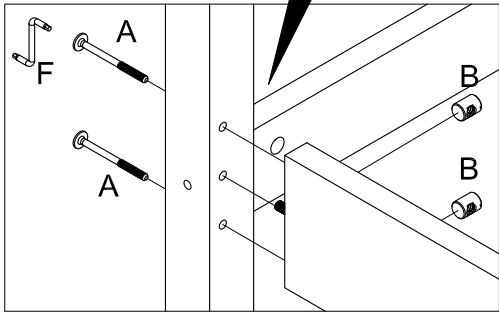
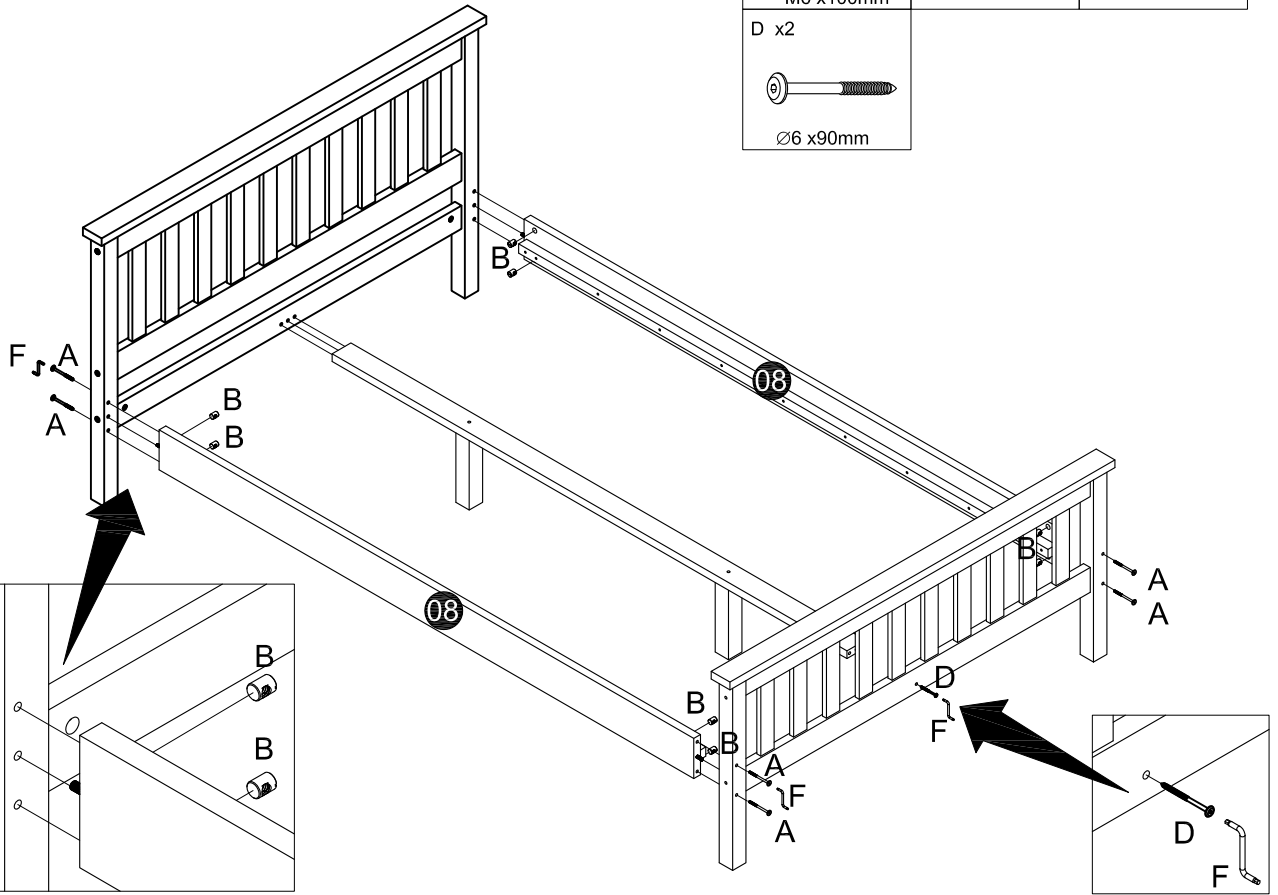
∅7 x60mm

F x1




06

A x8 M6 x100mm 	B x8 	F x1 
D x2 Ø6 x90mm 		



07

G x28 Ø4 x30mm 
--

